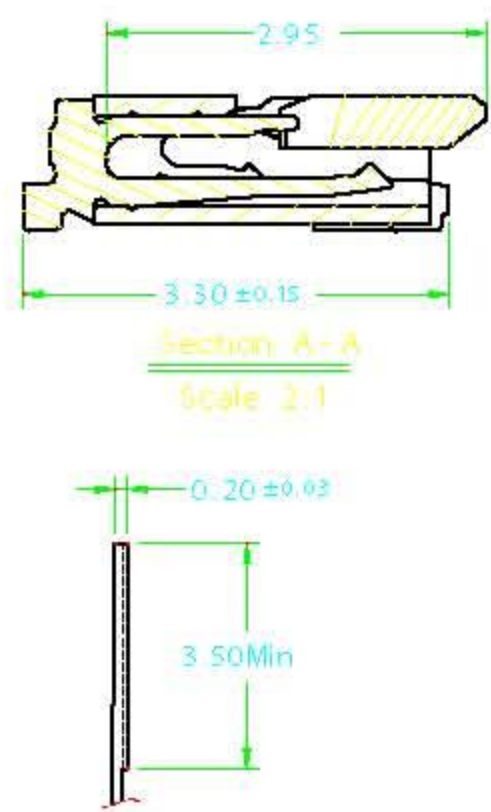
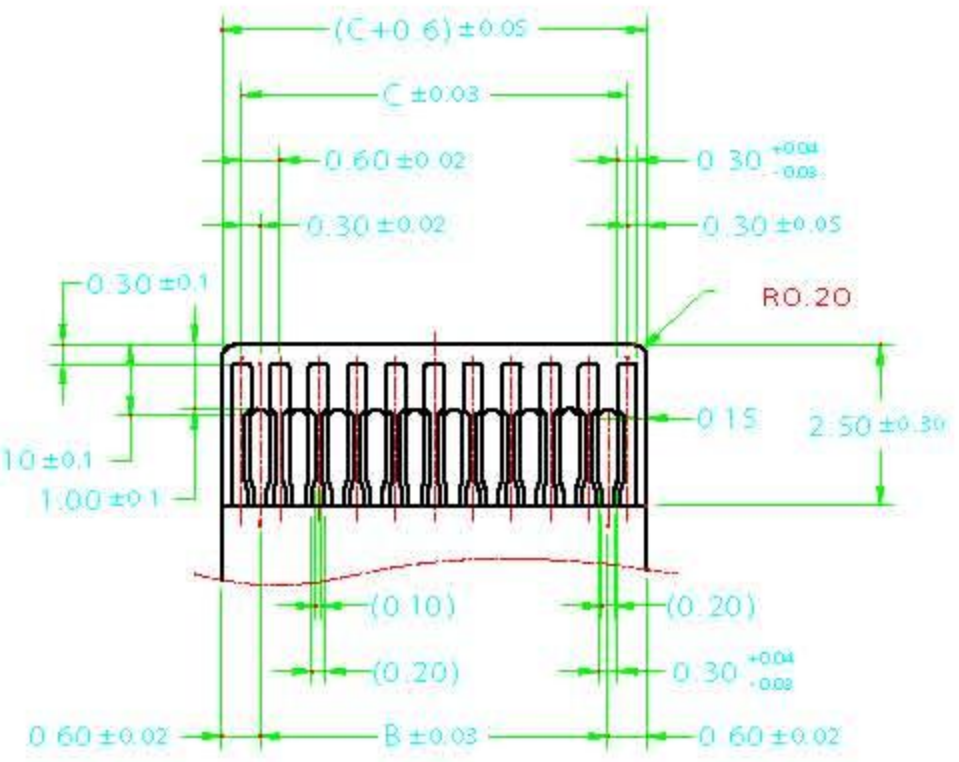
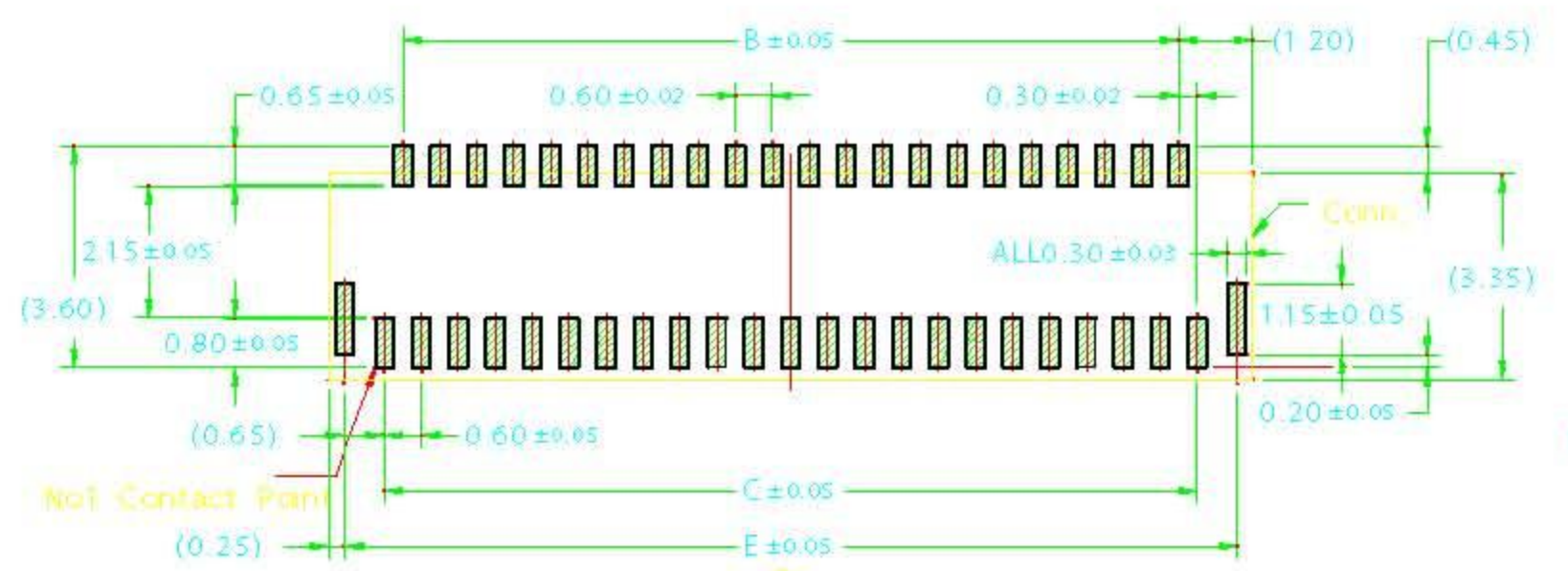
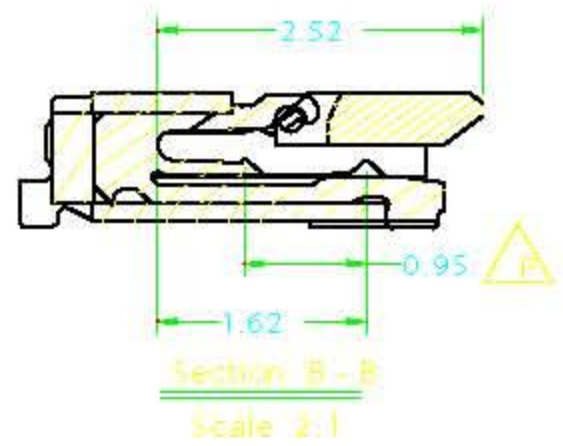
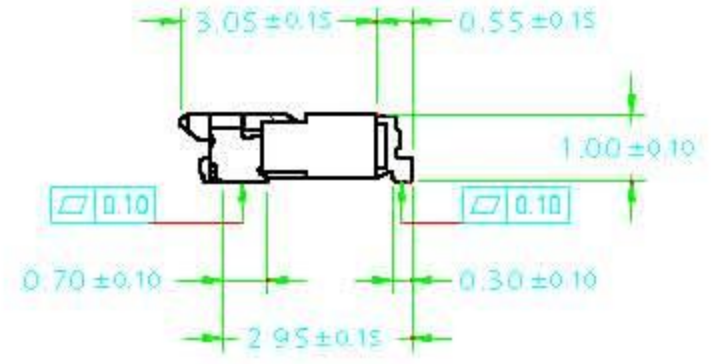
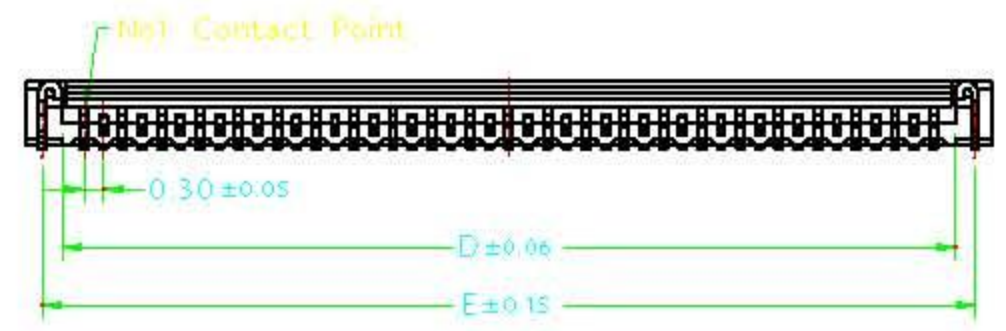
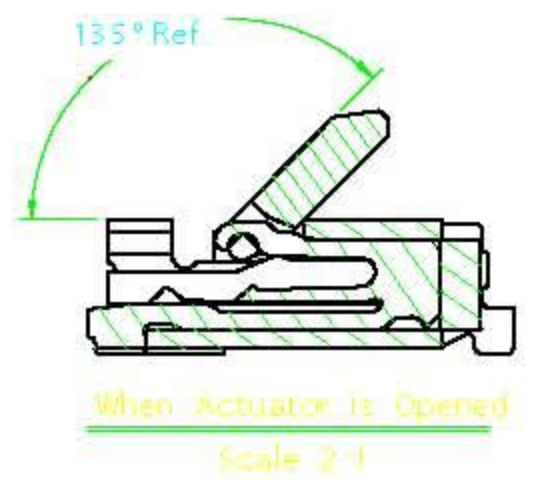
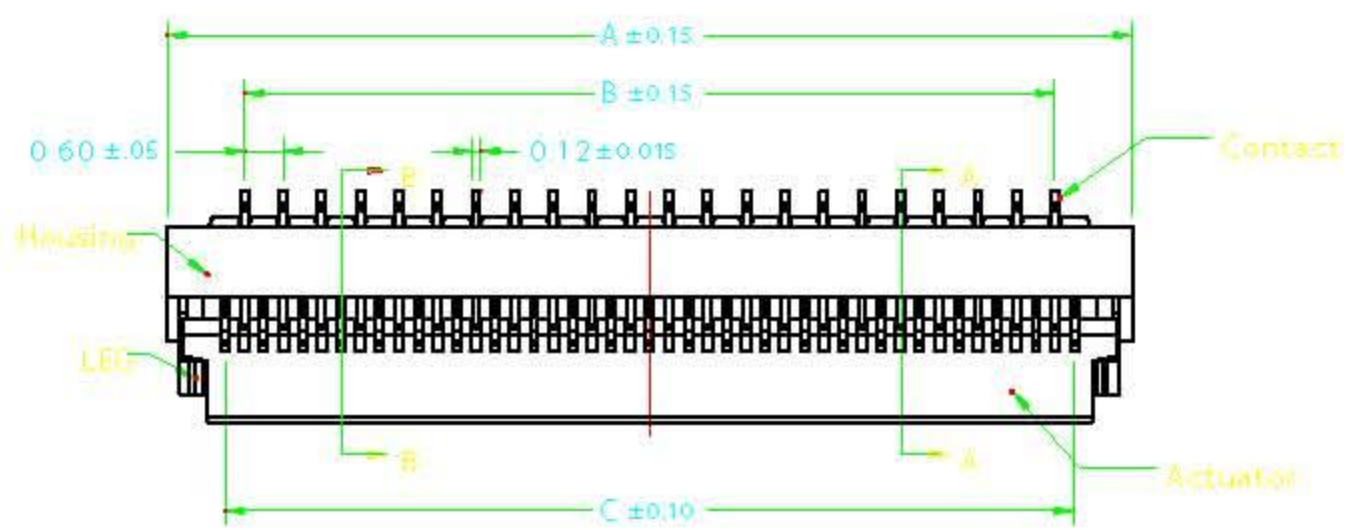


Halogen Free

REV	ECN NO	DATE	SIGN	DESCRIPTION
E	100703	7/19/10	H.P.T	1. Modify DIM No"1" "2" "14" TOLERANCES 2. Modify Part Number
F	101102	11/01/10	H.P.T	1. Modify DIM 0.68 TO 0.95 2. Modify Part Number

Note:

- Material
  - Housing: LCP UL94-V0 Color:Black.
  - Cover: LCP UL94-V0 Color:Black.
  - Contact: Phosphor Bronze.
  - LEG: Phosphor Bronze.
- Plating
  - Contact: See Part Number.
  - LEG: Matte Tin Plating Over Nickel.
- Rating:
  - Operating Voltage: 30V AC/DC.
  - Current Rating: 0.2A AC/DC.
  - Operating Temperature: -55°C~+85°C.
- Part Number: \_\_\_\_\_



PIN NO	Dimension				
	A	B	C	D	E
13	5.40	3.00	3.60	4.30	4.90
15	6.00	3.60	4.20	4.90	5.50
17	6.60	4.20	4.80	5.50	6.10
19	7.20	4.80	5.40	6.10	6.70
21	7.80	5.40	6.00	6.70	7.30
23	8.40	6.00	6.60	7.30	7.90
25	9.00	6.60	7.20	7.90	8.50
27	9.60	7.20	7.80	8.50	9.10
29	10.20	7.80	8.40	9.10	9.70
31	10.80	8.40	9.00	9.70	10.30
33	11.40	9.00	9.60	10.30	10.90
35	12.00	9.60	10.20	10.90	11.50
37	12.60	10.20	10.80	11.50	12.10
39	13.20	10.80	11.40	12.10	12.70
41	13.80	11.40	12.00	12.70	13.30
45	15.00	12.60	13.20	13.90	14.50
49	16.20	13.80	14.40	15.10	15.70
51	16.80	14.40	15.00	15.70	16.30
57	18.60	16.20	16.80	17.50	18.10
61	19.80	17.40	18.00	18.70	19.30
67	21.60	19.20	19.80	20.50	21.10
71	22.80	20.40	21.00	21.70	22.30

TOLERANCE UNLESS SPECIFIED		DATE: 7/19/10	DAR: BY Huangpaitong	MATERIAL: SEE NOTE 1			
LINEAR	ANGLE				SCALE: 1:1	CHK. BY: Zhaowuwei	FINISH: SEE NOTE 2
.X ± 0.25	X° XX						
.XX ± 0.20	.X° XX						
.XXX ± 0.10	.XX° XX						
UNIT: mm		APP. BY: Litao	PART NO: FPC0310				

立原科技有限公司 Easy Show Technology Corp.

TITLE: FPC 0.3Pitch 1.0H 掀盖式 connector

DWG NO: FPC0310-xxRL-TAG-2

REV: F