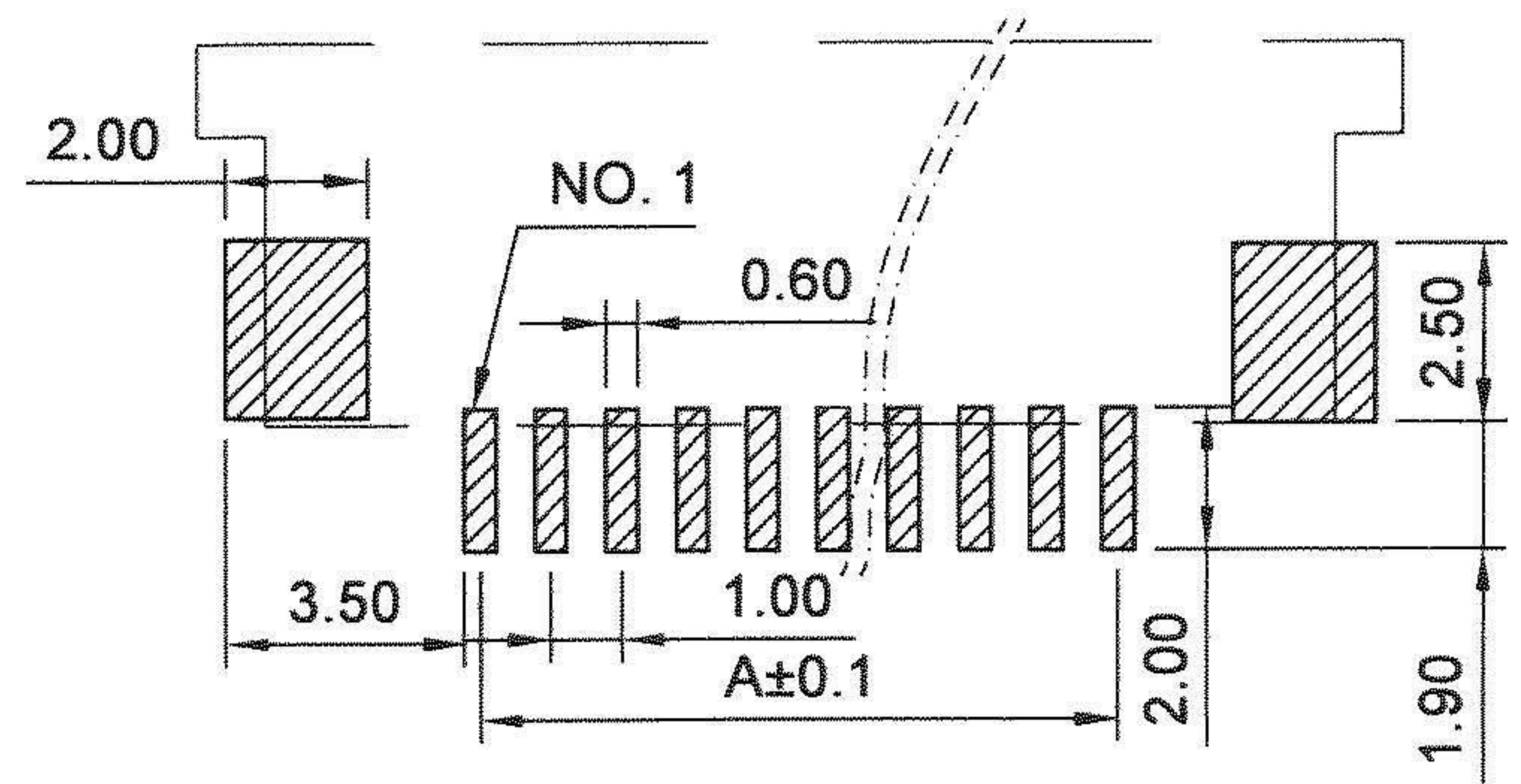
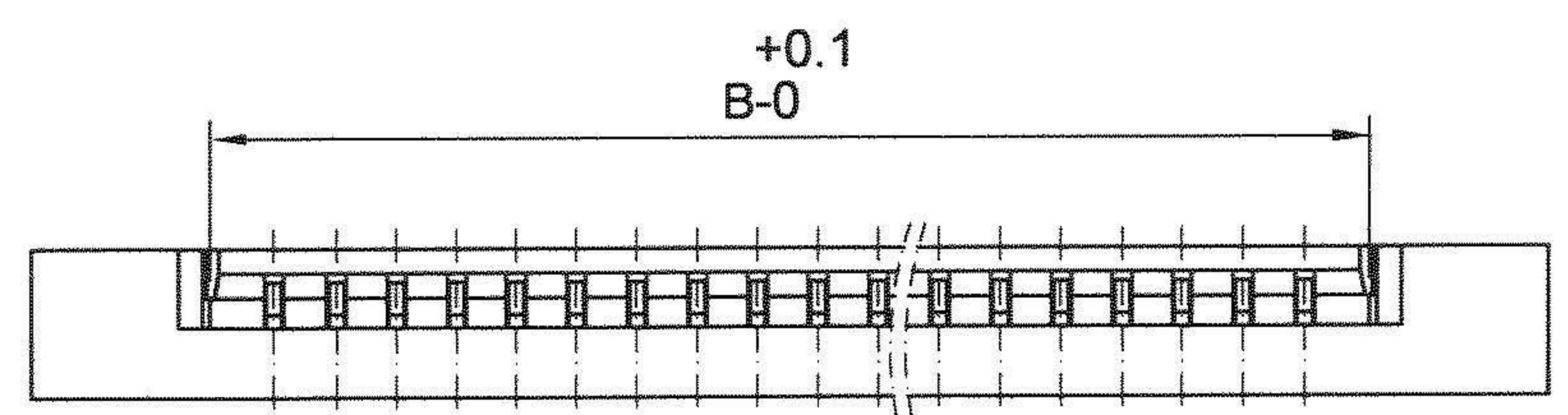
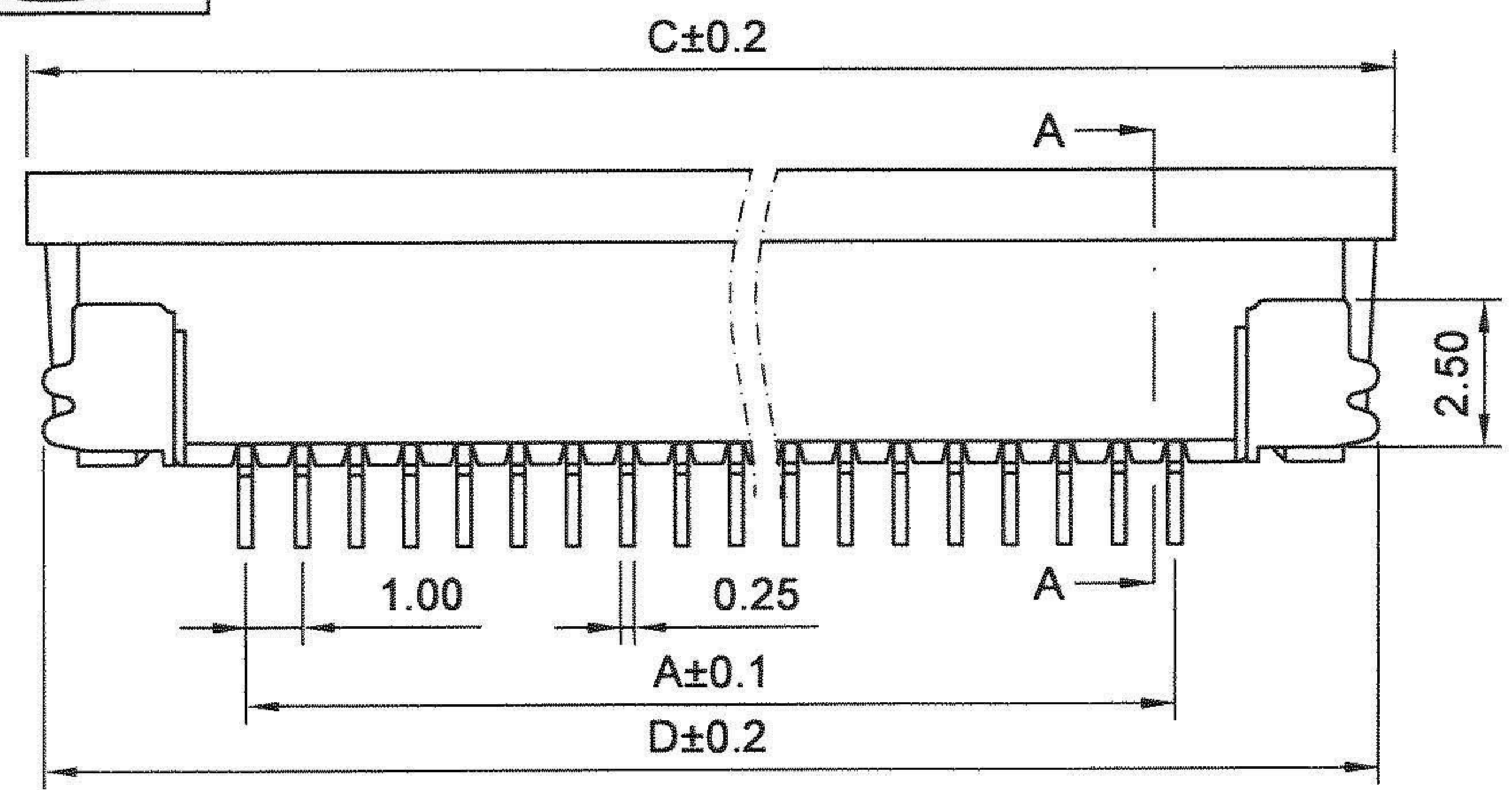
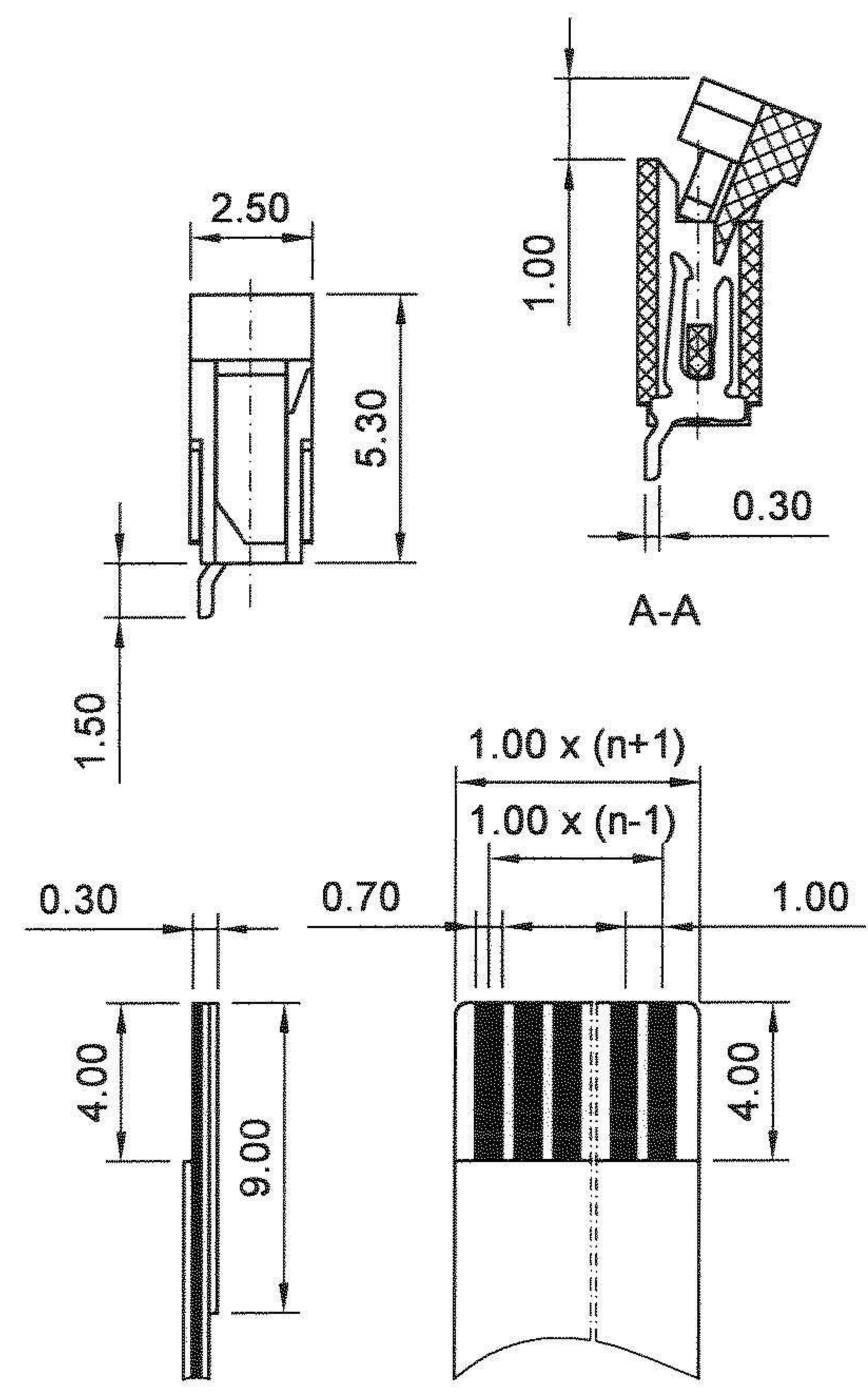


**RoHS**  
Compliant  
2002/95/EC



PCB LAYOUT



FFC

性能：  
 額定電流：0.5A  
 額定電壓：50V  
 耐電壓：<20mΩ  
 絕緣阻抗：800MΩ  
 工作溫度：-25°C~+85°C

主體(材質)：PA46, UL 94V-0  
 CAP(材質)：PPS, UL 94V-0  
 端子(材質)：磷青銅, 鍍錫  
 耳子(材質)：磷青銅, 鍍錫

DIM. TABLE				
CONTACTS	A	B	C	D
4	3.00	5.30	11.10	10.10
5	4.00	6.30	12.10	11.10
6	5.00	7.30	13.10	12.10
7	6.00	8.30	14.10	13.10
8	7.00	9.30	15.10	14.10
9	8.00	10.30	16.10	15.10
10	9.00	11.30	17.10	16.10
11	10.00	12.30	18.10	17.10
12	11.00	13.30	19.10	18.10
13	12.00	14.30	20.10	19.10
14	13.00	15.30	21.10	20.10
15	14.00	16.30	22.10	21.10
16	15.00	17.30	23.10	22.10
17	16.00	18.30	24.10	23.10
18	17.00	19.30	25.10	24.10
19	18.00	20.30	26.10	25.10
20	19.00	21.30	27.10	26.10
21	20.00	22.30	28.10	27.10
22	21.00	23.30	29.10	28.10
23	22.00	24.30	30.10	29.10
24	23.00	25.30	31.10	30.10
25	24.00	26.30	32.10	31.10
26	25.00	27.30	33.10	32.10
27	26.00	28.30	34.10	33.10
28	27.00	29.30	35.10	34.10
29	28.00	30.30	36.10	35.10
30	29.00	31.30	37.10	36.10
31	30.00	32.30	38.10	37.10
32	31.00	33.30	39.10	38.10
33	32.00	34.30	40.10	39.10
34	33.00	35.30	41.10	40.10
35	34.00	36.30	42.10	41.10

**立原科技有限公司**  
 Easy Show Technology Corp.  
 電話:(02)2389-2797  
 傳真:(02)2389-9359  
 http://www.easyshow.com.tw

THIRD ANGLE PROJECTION  
 DESIGN UNITS: mm □ INCH  
 SIZE: A4 SCALE: FREE SHEET: 1/1  
 CPN NO.: DAN NO.: S9707-079

TITLE: ZIP FPC 1.0mm SMT CONN.  
 HORIZONTAL SIDE ENTRY TYPE LOWER CONTACT  
 PARTS NO.: DWG NO.: REV. 01

GENERAL TOLERANCES: ±0.30  
 DRAWN: 游熾瑩 DATE: 97/07/30  
 CHECK: 郭坤峰 DATE: 97.7.30  
 APPROVE: 陳世官 DATE: 97.7.31