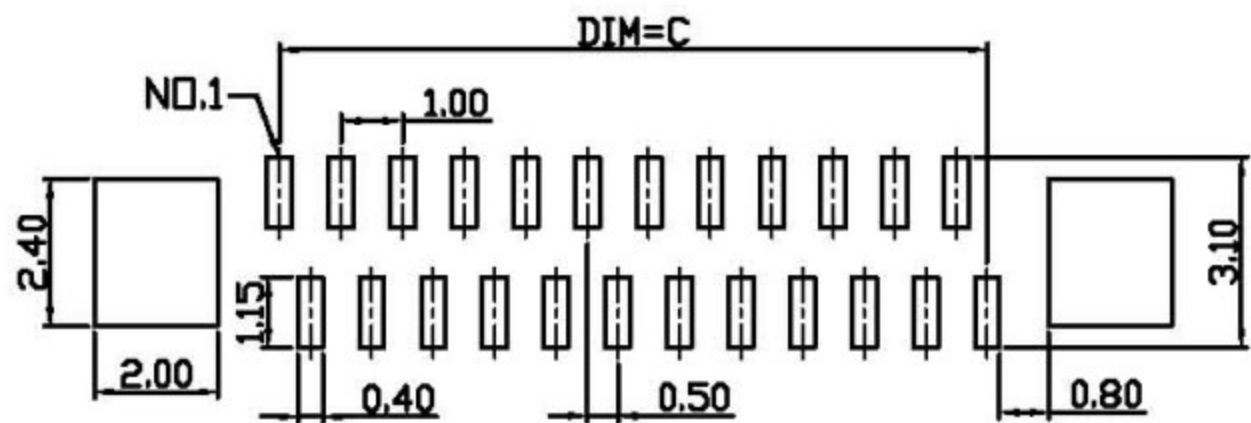
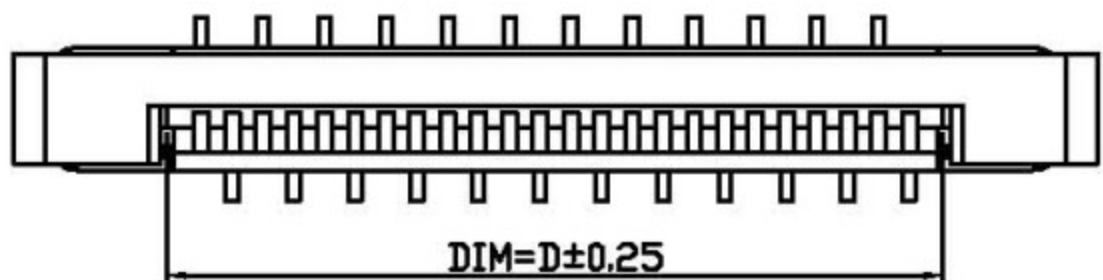
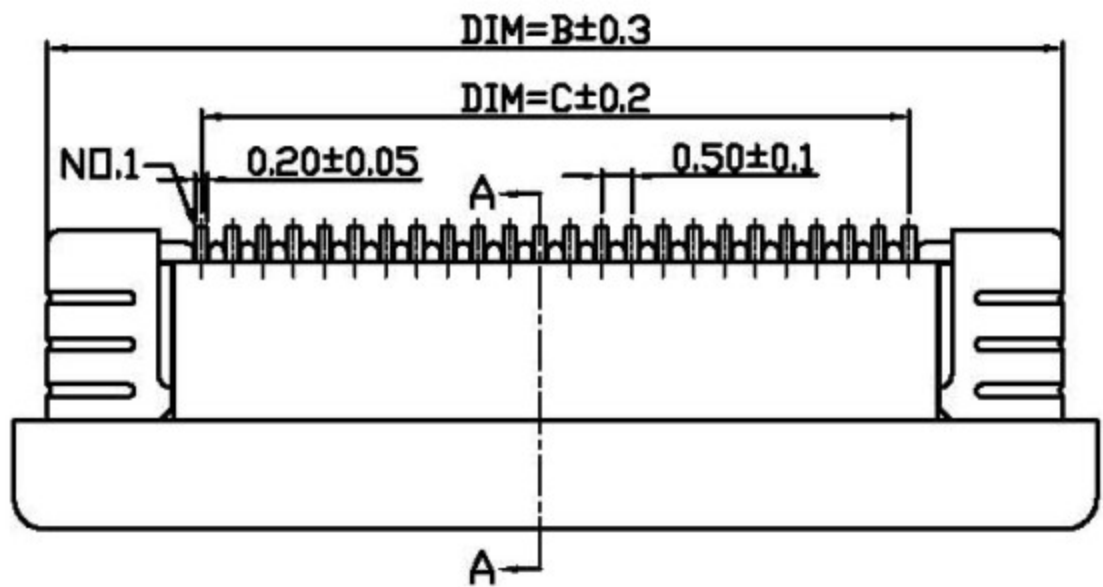
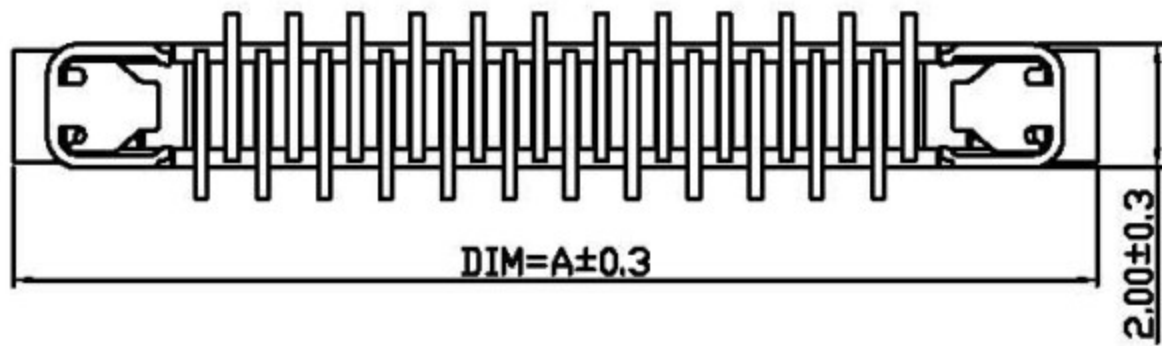


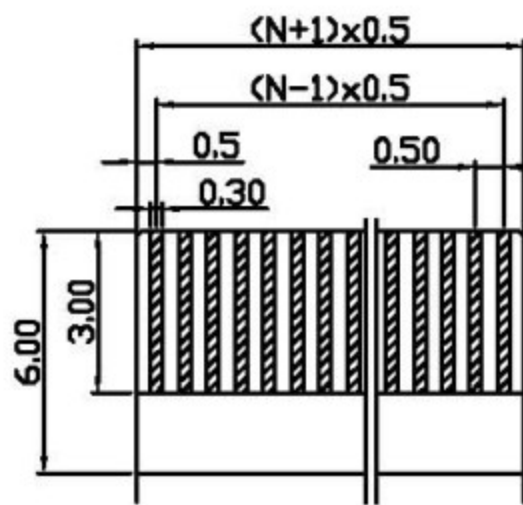
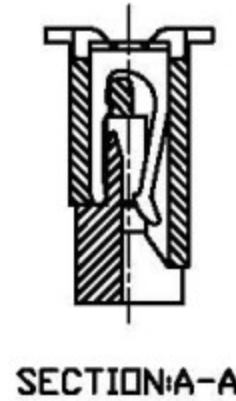
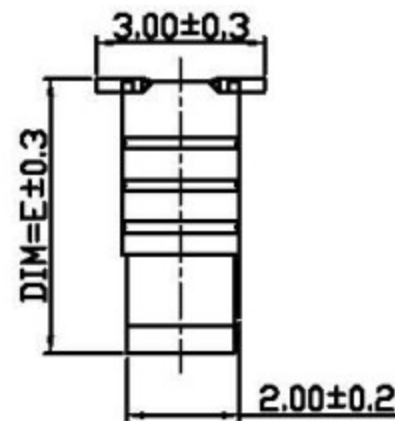
# RoHS



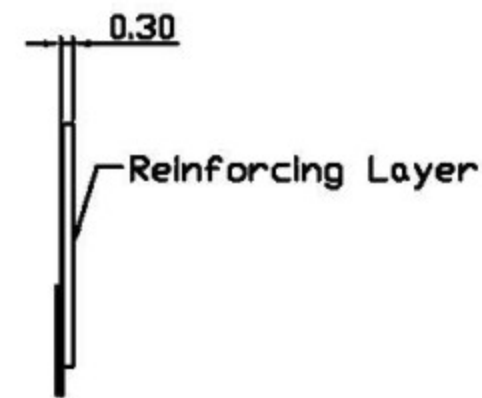
RECOMMENDED P.C.B LAYOUT  
NEGATIVE-NEEDLE CIRCUIT BOARD

### MATERIAL AND FINISH:

1. Housing: LCP or PA46 (UL94V-0), Black or White
2. Cover: LCP or PPS (UL94V-0), Black or Brown
3. Contact: Phosphor Bronze, Sn Plated Over Nickel or Gold Flash Plated Over Nickel
4. Fiting Nial: Brass, Sn Plated Over Nickel



RECOMMENDED FFC/FPC DIM



PIN NO.	DIM=A	DIM=B	DIM=C	DIM=D
60P	35.6	34.5	29.50	30.60
59P	35.1	34.0	29.00	30.10
58P	34.6	33.5	28.50	29.60
57P	34.1	33.0	28.00	29.10
56P	33.6	32.5	27.50	28.60
55P	33.1	32.0	27.00	28.10
54P	32.6	31.5	26.50	27.60
53P	32.1	31.0	26.00	27.10
52P	31.6	30.5	25.50	26.60
51P	31.1	30.0	25.00	26.10
50P	30.6	29.5	24.50	25.60
49P	30.1	29.0	24.00	25.10
48P	29.6	28.5	23.50	24.60
47P	29.1	28.0	23.00	24.10
46P	28.6	27.5	22.50	23.60
45P	28.1	27.0	22.00	23.10
44P	27.8	26.5	21.50	22.60
43P	27.1	26.0	21.00	22.10
42P	26.6	25.5	20.50	21.60
41P	26.1	25.0	20.00	21.10
40P	25.6	24.5	19.50	20.60
39P	25.1	24.0	19.00	20.10
38P	24.6	23.5	18.50	19.60
37P	24.1	23.0	18.00	19.10
36P	23.6	22.5	17.50	18.60
35P	23.1	22.0	17.00	18.10
34P	22.6	21.5	16.50	17.60
33P	22.1	21.0	16.00	17.10
32P	21.8	20.5	15.50	16.60
31P	21.1	20.0	15.00	16.10
30P	20.8	19.5	14.50	15.60
29P	20.1	19.0	14.00	15.10
28P	19.6	18.5	13.50	14.60
27P	19.1	18.0	13.00	14.10
26P	18.6	17.5	12.50	13.60
25P	18.1	17.0	12.00	13.10
24P	17.6	16.5	11.50	12.60
23P	17.1	16.0	11.00	12.10
22P	16.6	15.5	10.50	11.60
21P	16.1	15.0	10.00	11.10
20P	15.6	14.5	9.50	10.60
19P	15.1	14.0	9.00	10.10
18P	14.6	13.5	8.50	9.60
17P	14.1	13.0	8.00	9.10
16P	13.6	12.5	7.50	8.60
15P	13.1	12.0	7.00	8.10
14P	12.6	11.5	6.50	7.60
13P	12.1	11.0	6.00	7.10
12P	11.8	10.5	5.50	6.60
11P	11.1	10.0	5.00	6.10
10P	10.8	9.5	4.50	5.60
9P	10.1	9.0	4.00	5.10
8P	9.6	8.5	3.50	4.60
7P	9.1	8.0	3.00	4.10
6P	8.6	7.5	2.50	3.60
5P	8.1	7.0	2.00	3.10
4P	7.6	6.5	1.50	2.60

立原科技有限公司  
Easy Show Technology Corp.

Title: FPC Connector Pitch 1.0mm  
立式, 反向, SMD Type

Tolerances		App.	Dabbie	Units	Part no:
Linear	Angles	Chk.	Kitty	<input checked="" type="checkbox"/> mm	
.X ±0.30	X' ±5°	Dr.	Eddy	<input type="checkbox"/> Size	Dwg no:
.XX ±0.20	X' ±2°	Date.	2007.09.12	A4	
.XXX ±0.10	.XX' ±1°			Scale	Sheet
Projection				1:1	1/1