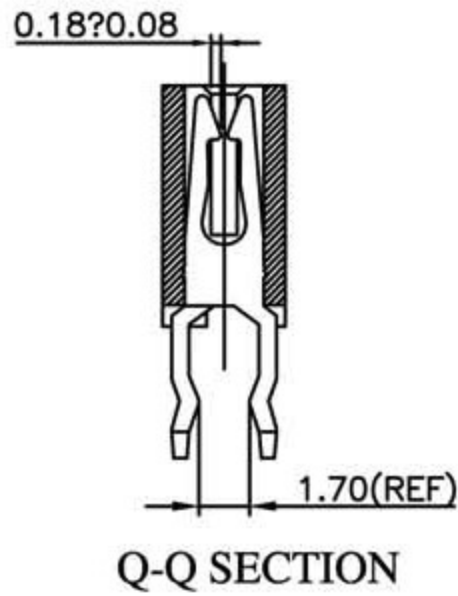
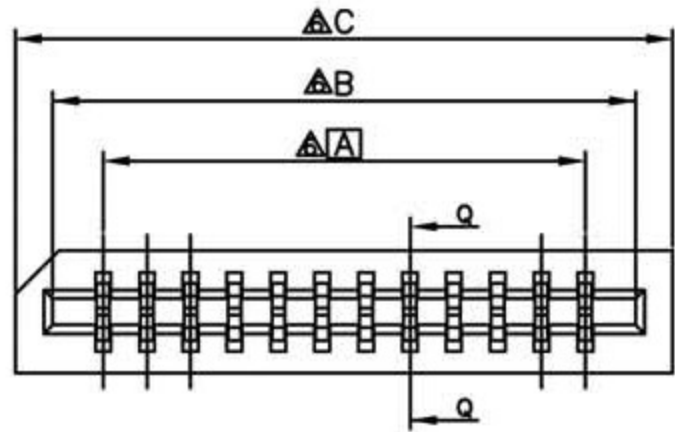
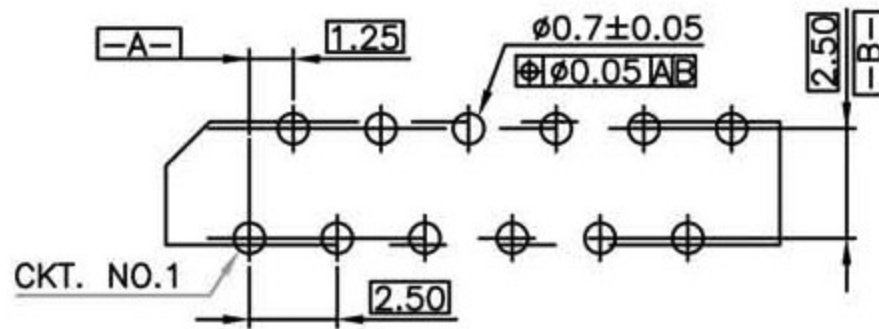
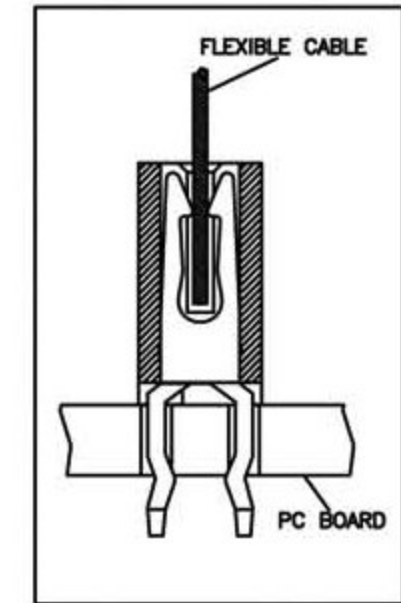
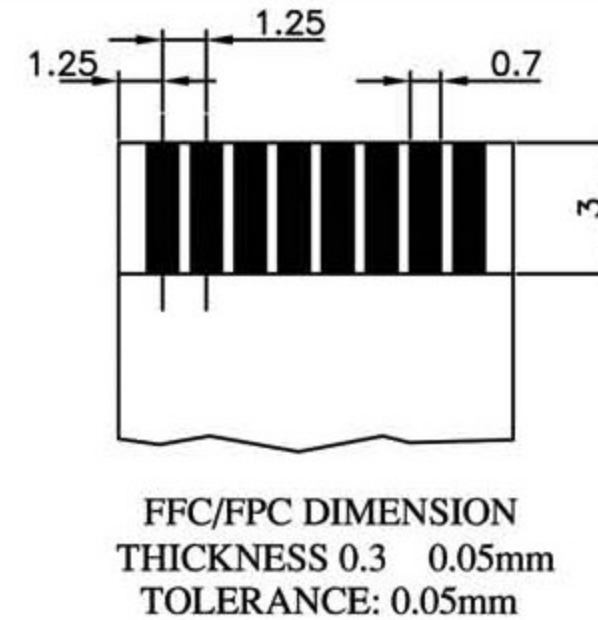
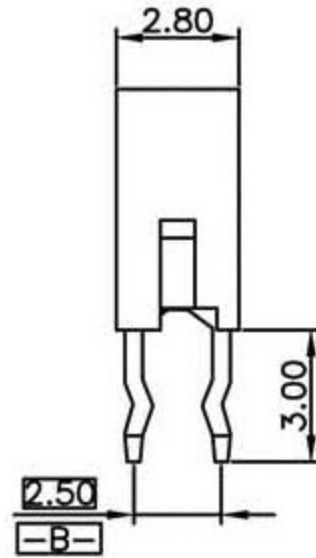
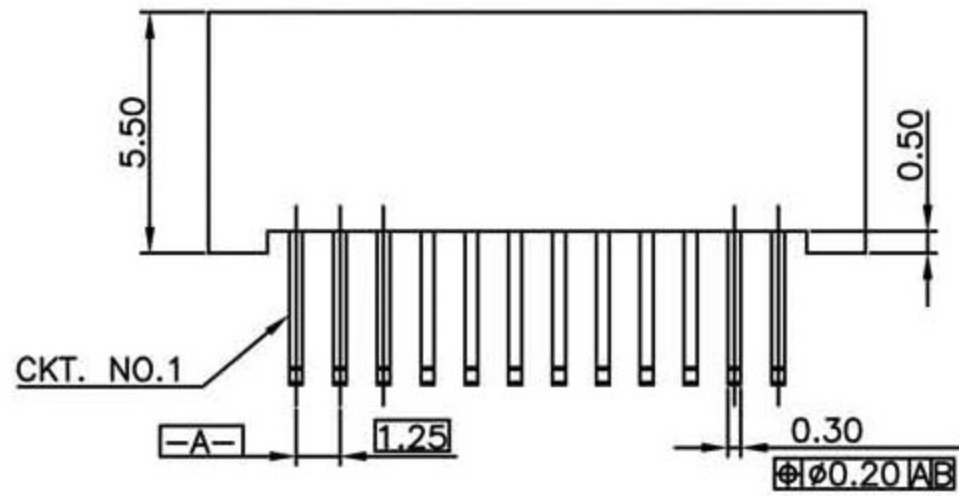


RoHS



NOTES

- 1.MATERIAL:
HOUSING:NYLON (UL94V-0)
CONTACT:COPPER ALLOY
- 2.PLATING: 1.TIN/LEAD 120u" MIN
OVER 50u" NICKEL.
G:Lead Free
- 3.PACKING: TUBE
- 4.DIM A=1.25mm*(CKT-1)
DIM B=DIM A+2.6mm
DIM C=DIM A+4mm



PC BOARD LAYOUT PCB T=0.6mm
TOP VIEW

立原科技有限公司
Easy Show Technology Corp.

Title:
NON ZIF FPC Pitch 1.25mm 180度

Tolerances		App.	Dabbie	Units	Part no:
Linear	Angles	Chk.	Kitty	<input checked="" type="checkbox"/> mm <input type="checkbox"/> inch	
.X ± 0.30	X' $\pm 5^\circ$	Dr.	Eddy	Size A4	Dwg no:
.XX ± 0.20	X' $\pm 2^\circ$	Date.	2007.09.12	Scale 1:1	Sheet 1/1
.XXX ± 0.10	.XX' $\pm 1^\circ$				
Projection					