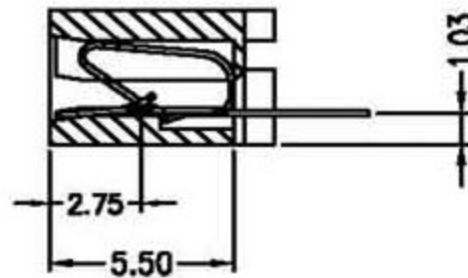
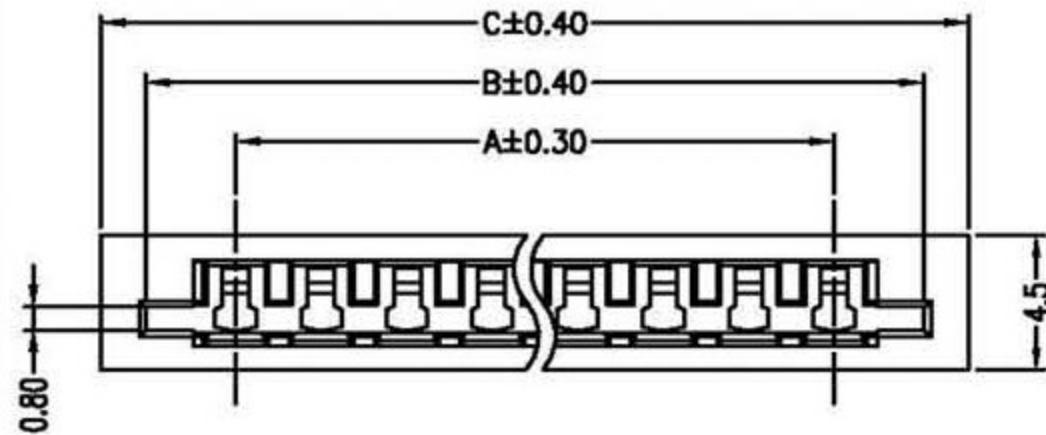


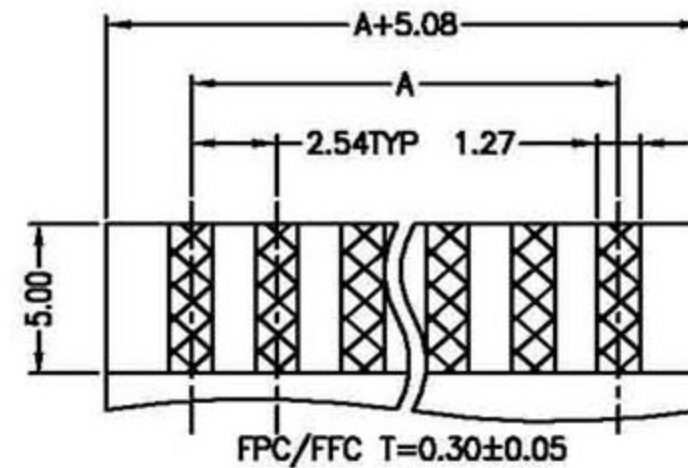
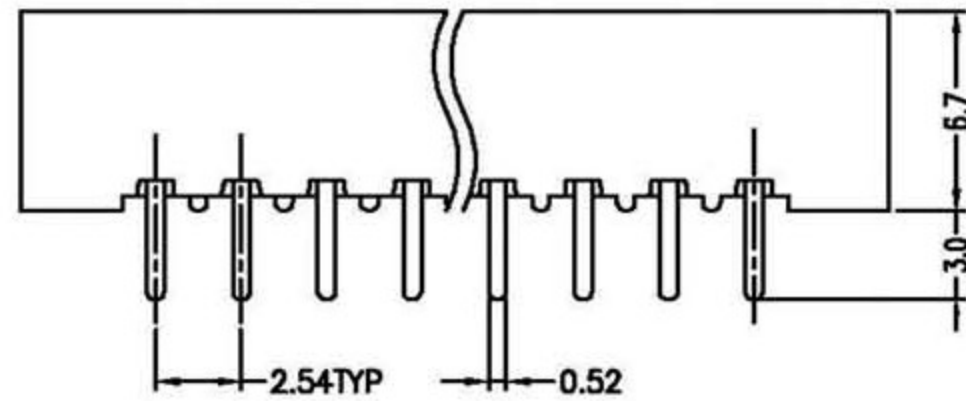
# RoHS



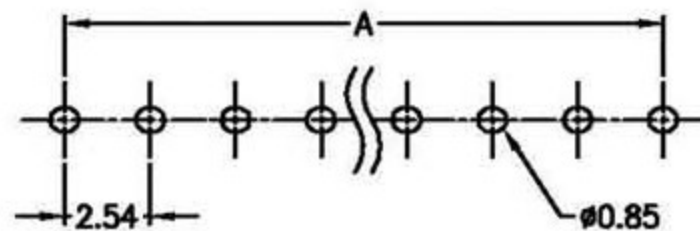
■ **MATERIAL**  
 INSULATOR: GLASS-REINFORCED THERMOPLASTIC.  
 CONTACT: PHOSPHOR BRONZE.  
 PLATING: ALL TIN, LEAD FREE.

■ **SPECIFICATION**  
 VOLTAGE RATING: 250 VAC RMS.  
 CURRENT RATING: 1 AMP.  
 DIELECTRIC WITHSTANDING VOLTAGE: 1000 VAC RMS 60 Hz.  
 FOR 1 MINUTE.  
 INSULATION RESISTANCE: 5000 MEGOHMS MIN AT 500 VDC.  
 CONTACT RESISTANCE: 25 MILLIOHMS MAX.  
 DURABILITY: 20 CYCLES.

■ **ENVIRONMENTAL**  
 TEMPERATURE RANGE: -55°C TO +85°C.



Circuit	Dimension			Circuit	Dimension		
	A	B	C		A	B	C
2	2.54	8.43	10.54	15	35.56	41.45	43.56
3	5.08	10.97	13.08	16	38.10	43.99	46.10
4	7.62	13.51	15.62	17	40.64	46.53	48.64
5	10.16	16.05	18.16	18	43.18	49.07	51.18
6	12.70	18.59	20.70	19	45.72	51.60	53.72
7	15.24	21.13	23.24	20	48.26	54.15	56.26
8	17.78	23.67	25.78	21	50.80	56.69	58.80
9	20.32	26.21	28.32	22	53.34	59.23	61.34
10	22.86	28.75	30.86	23	55.88	61.77	63.88
11	25.40	31.29	33.40	24	58.42	64.31	66.42
12	27.94	33.83	35.94	25	60.96	66.85	68.96
13	30.48	36.37	38.48	26	63.50	69.39	71.50
14	33.02	38.91	41.02	27	66.04	71.93	74.04



TOLERANCES: ±0.05  
 RECOMMENDED PCB LAYOUT

立原科技有限公司 Easy Show Technology Corp.			Title: NON ZIF FPC Pitch 2.54mm 180度	
Tolerances		App. Dabbie	Units	Part no:
Linear	Angles	Chk. Kitty	<input checked="" type="checkbox"/> mm	
.X ±0.30	X' ±5°	Dr. Eddy	<input type="checkbox"/> inch	Dwg no:
.XX ±0.20	X' ±2°	Date. 2007.09.12	Size A4	
.XXX ±0.10	.XX' ±1°		Scale 1:1	Sheet 1/1
Projection				