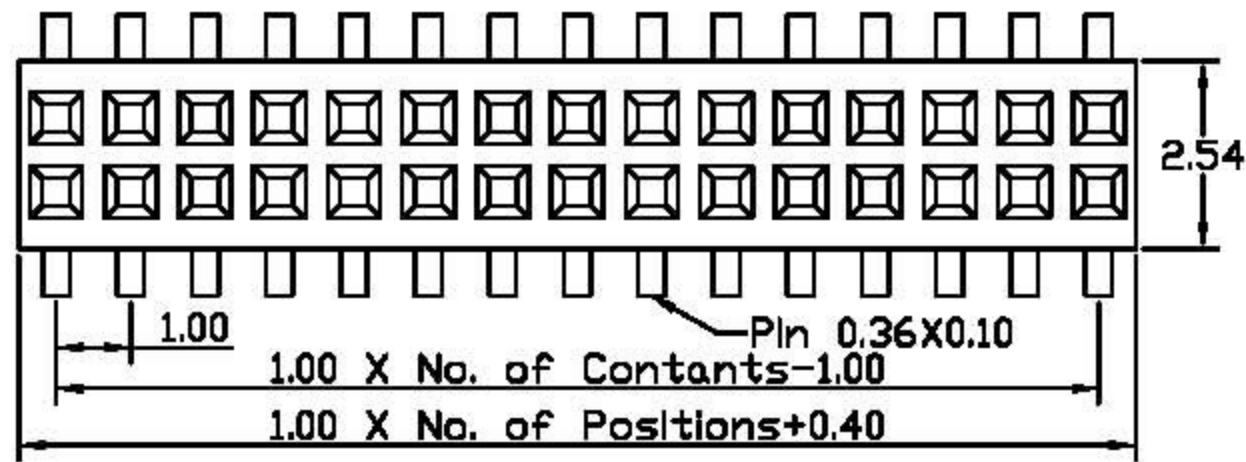
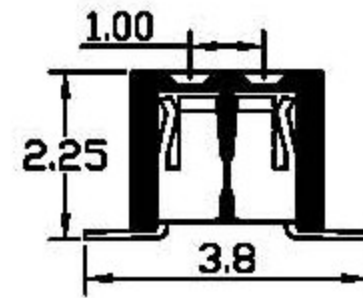


RoHS

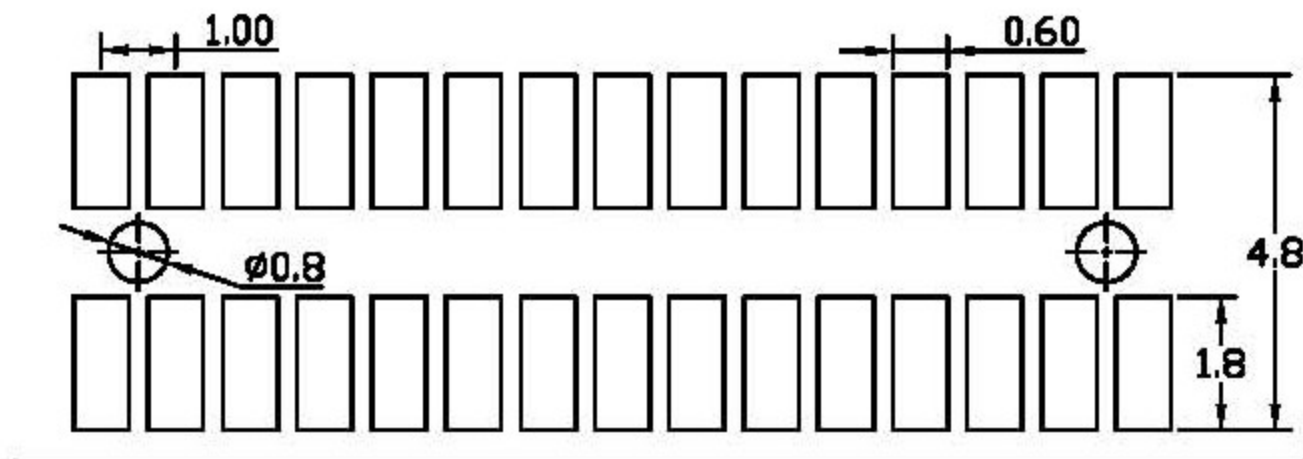
SPECIFICATIONS



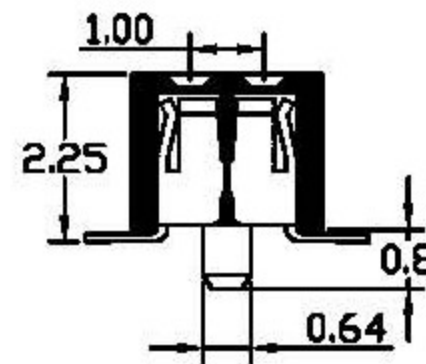
- Current Rating : 0.75AMP
- Operation Temperature : -40°C to +105°C
- Contact Resistance : 30mΩ Max.
- Insulation Resistance : 1000MΩ Min
- Withstanding Voltage : AC 500V
- Insulator Material : High Temperature Thermoplastic (UL94V-0)
- Contact Material : Phosphor Bronze
- Contact Plating : Au or Over 50 U" Ni



- Insulator Material : High Temperature Thermoplastic (UL94V-0)
- Contact Material : Phosphor Bronze
- Contact Plating : Au or Over 50 U" Ni



PCB LAYOUT



立原科技有限公司 Easy Show Technology Corp.		Title: Female Header Pitch 1.0mm 90度, SMD Type	
Tolerances		App. Dabbie	Units <input checked="" type="checkbox"/>
Linear	Angles	Chk. Kitty	Part no:
.X ±0.30	X' ±5°	Dr. Eddy	Dwg no:
.XX ±0.20	X' ±2°	Date. 2007.09.12	Scale 1:1
.XXX ±0.10	.XX' ±1°		Sheet 1/1
Projection			