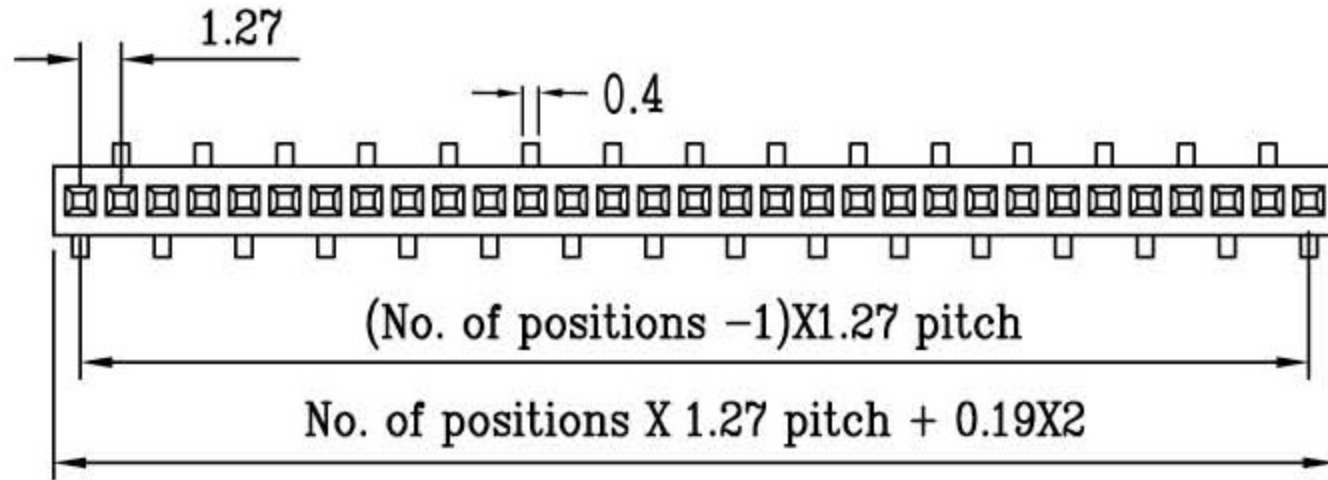


# RoHS

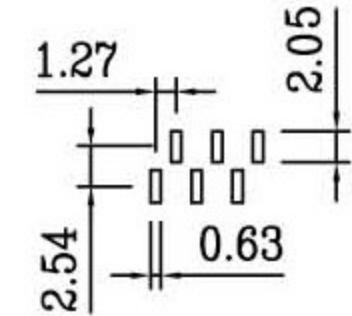
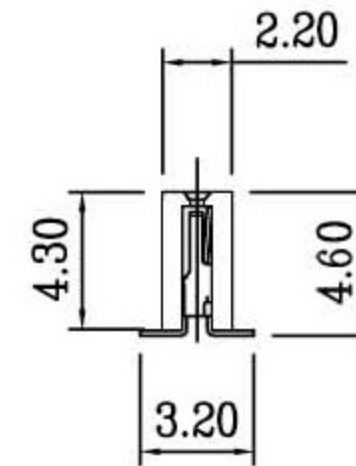
Cir-cuits	Dimension (mm)	
	L1	L2
3	2.54	4.21
4	3.81	5.48
5	5.08	6.75
6	6.35	8.02
7	7.62	9.29
8	8.89	10.56
9	10.16	11.83
10	11.43	13.10
11	12.70	14.37
12	13.97	15.64
13	15.24	16.91
14	16.51	18.18
15	17.78	19.45
16	19.05	20.72
17	20.32	21.99
18	21.59	23.26
19	22.86	24.53
20	24.13	25.80
21	25.40	27.07
22	26.67	28.34
23	27.94	29.61
24	29.21	30.88
25	30.48	32.15
26	31.75	33.42
27	33.02	34.69
28	34.29	35.96
29	35.56	37.23
30	36.83	38.50
31	38.10	39.77
32	39.37	41.04
33	40.64	42.31
34	41.91	43.58
35	43.18	44.85
36	44.45	46.12
37	45.72	47.39
38	46.99	48.66
39	48.26	49.93
40	49.53	51.20
41	50.80	52.47
42	52.07	53.74
43	53.34	55.01
44	54.61	56.28
45	55.88	57.55
46	57.15	58.82
47	58.42	60.09
48	59.69	61.36
49	60.96	62.63
50	62.23	63.90



## SPECIFICATIONS

Current Rating : 1 Amps  
 Insulator resistance: 5000 Megohms min.  
 Dielectric withstanding: AC 500 V  
 Operating Temperature: -40°-+105°C  
 Max Processing Temp: 230° for 30~60 seconds  
 (260° for 10 seconds)

Contact Material: Phosphor bronze  
 Housing: L.C.P (UL 94 V-0)



## PCB LAYOUT

立原科技有限公司 Easy Show Technology Corp.			Title: Female Header 1.27mm, H:4.3 SMD Type		
Tolerances		App.	Dabbie	Units	Part no:
Linear	Angles	Chk.	Kitty	<input checked="" type="checkbox"/> mm <input type="checkbox"/> inch	Dwg no:
.X ±0.30	X' ± 5°	Dr.	Eddy	Size A4	
.XX ±0.20	X' ± 2°	Date.	2007.09.12	Scale 1:1	Sheet 1/1
.XXX ±0.10	.XX' ± 1°				
Projection					