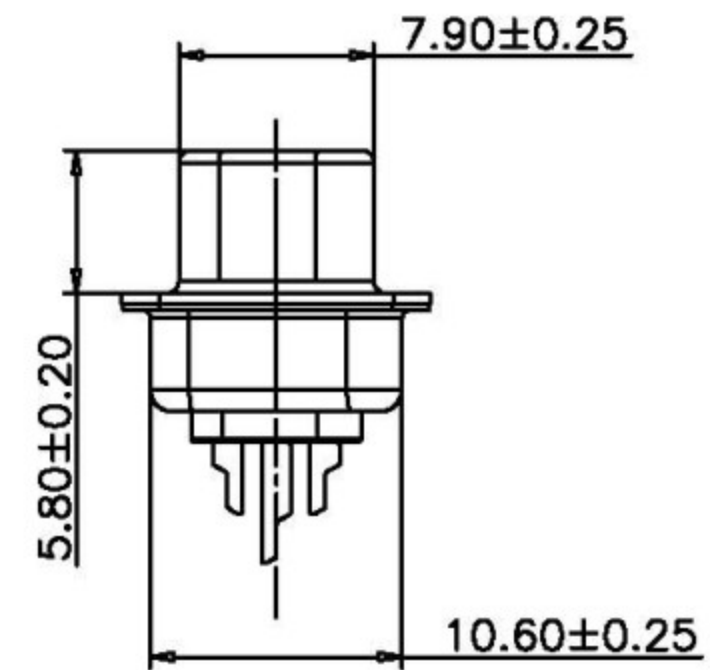
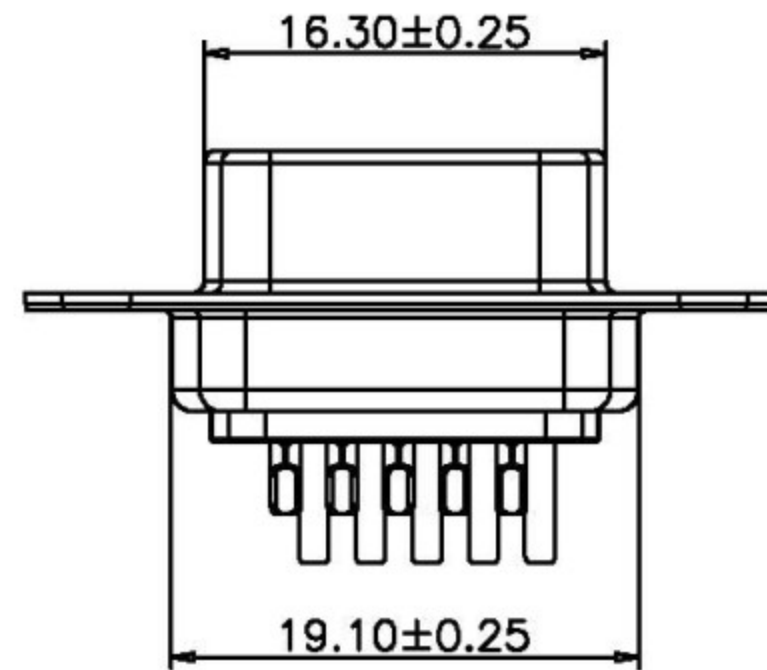
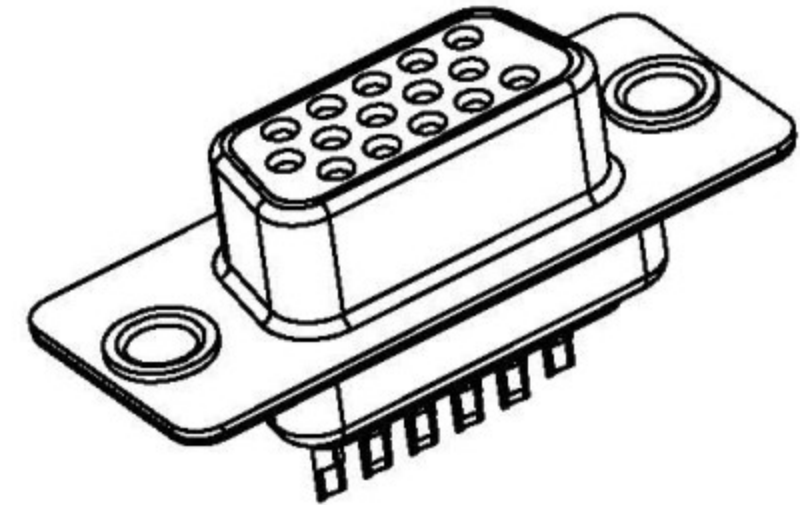
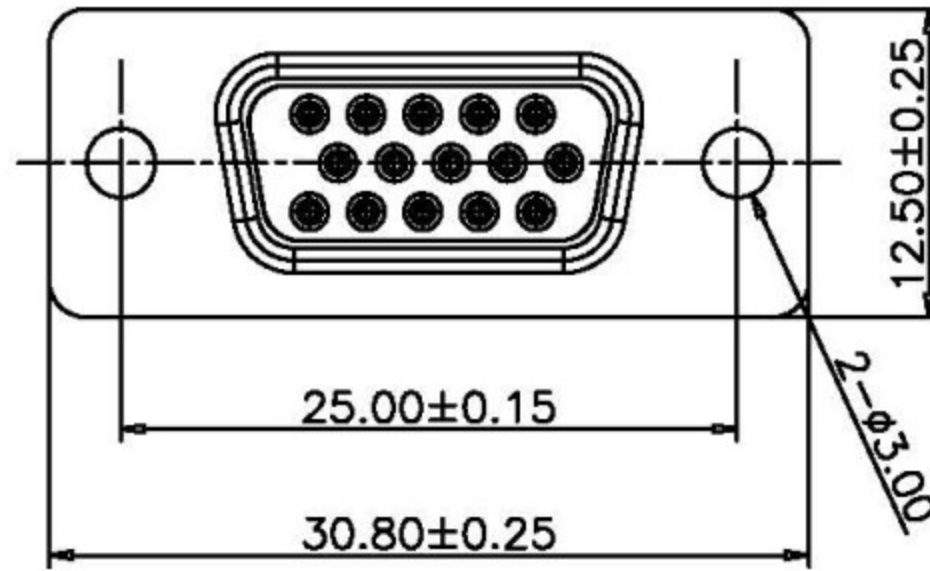


RoHS

NOTES:

- Rated Current: 3.0AC,DC.
- Withstand Voltage: 500V AC/minute.
- Insulation Resistance: 1000MΩ min.
- Operation Temperature: -25°C to +85°C.

- Contact Material: Brass.
- Plating: Gold on Contact Area 100u" min. Tin/Lead Plated on Soldering end Over 50u" min. Nickel under-Plating.
- Shell Material: Steel, Nickel/Tin Plated.
- Insulator Material: PBT+25% Glass Fiber (UL94V-0).



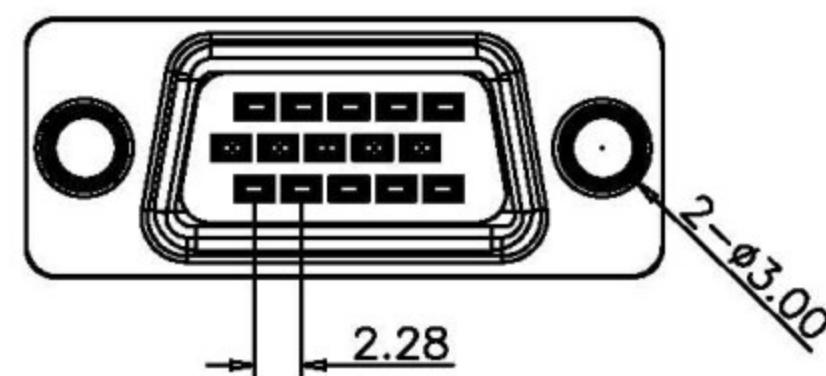
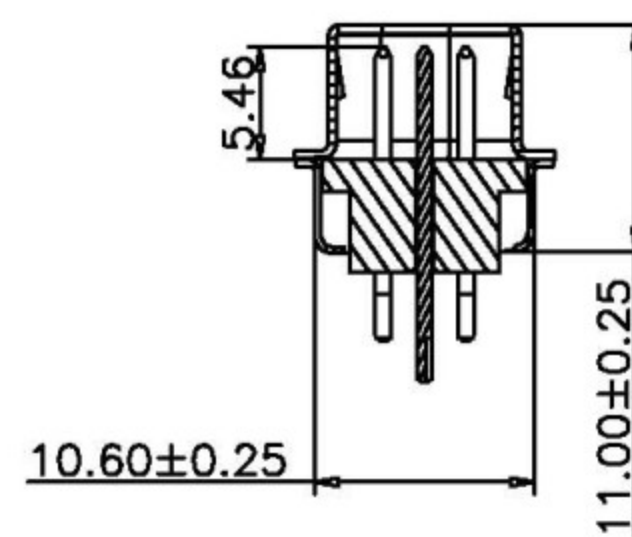
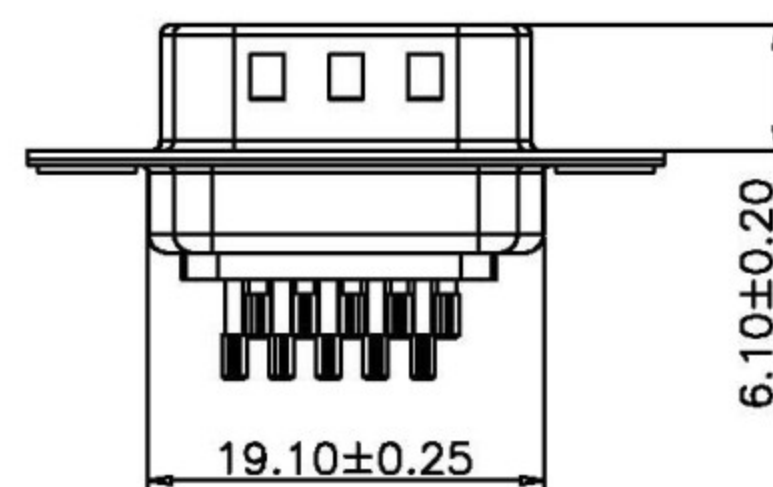
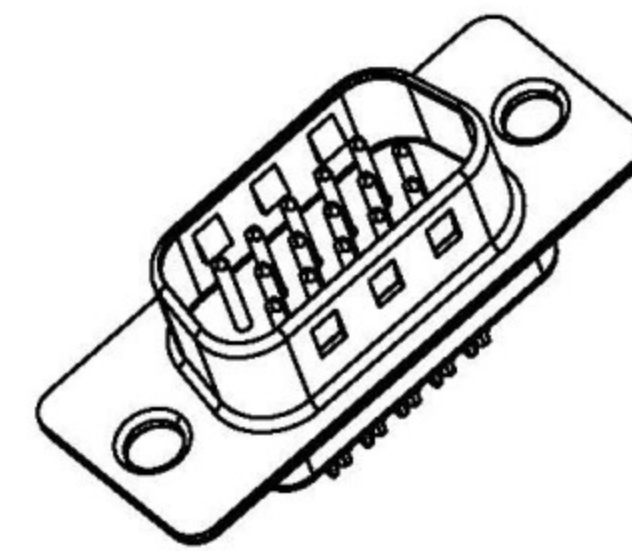
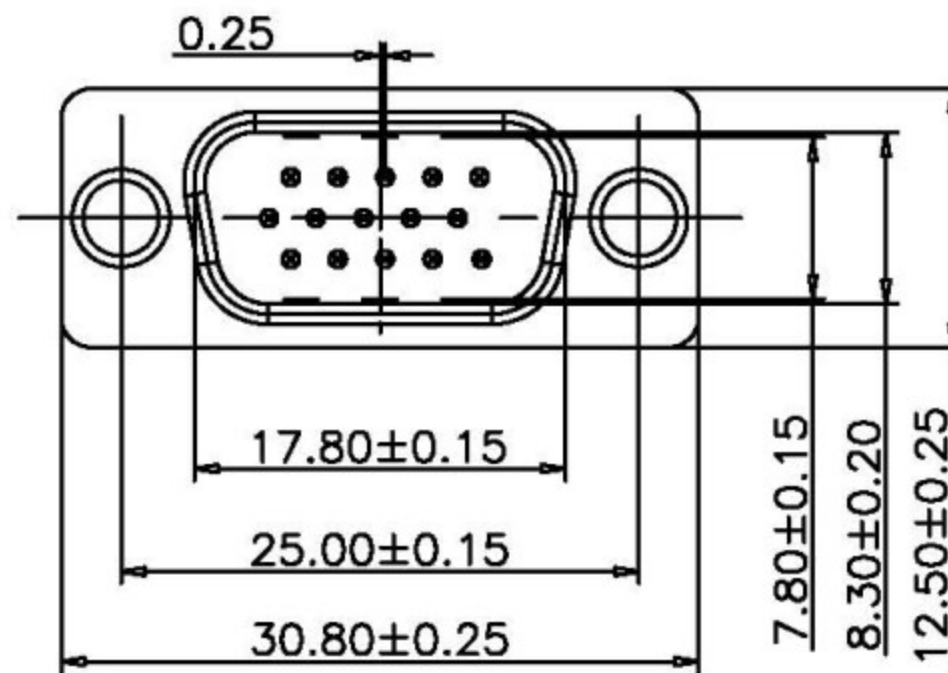
立原科技有限公司 Easy Show Technology Corp.		Title: HDB Female Connector, Solder Type	
Tolerances		App. Dabbie	Units <input checked="" type="checkbox"/> mm <input type="checkbox"/> inch
Linear	Angles	Chk. Kitty	Part no:
.X ±0.30	X' ±5°	Dr. Eddy	Dwg no:
.XX ±0.20	X' ±2°	Date. 2007.09.12	Scale 1:1
.XXX ±0.10	.XX' ±1°		Sheet 1/1
Projection			

RoHS

SPECIFICATIONS:

- Rated Current: 3.0AC/DC.
- Withstand Voltage: 500V AC/minute.
- Insulation Resistance: 1000MΩ min.
- Operation Temperature: -25°C to +85°C.

- Contact Material: Brass.
- Contact Plating: Au or Tin over Ni
- Shell Material: Steel, Nickel/Tin Plated.
- Insulator Material: PBT+25% Glass Fiber(UL94V-0).



立原科技有限公司 Easy Show Technology Corp.			Title: HDB Male Connector Solder Type		
Tolerances		App.	Dabbie	Units	Part no:
Linear	Angles	Chk.	Kitty	<input checked="" type="checkbox"/> mm	
.X ±0.30	X' ±5°	Dr.	Eddy	<input type="checkbox"/> inch	Dwg no:
.XX ±0.20	X' ±2°	Date.	2007.09.12	Size A4	
.XXX ±0.10	.XX' ±1°			Scale	Sheet
Projection				1:1	1/1