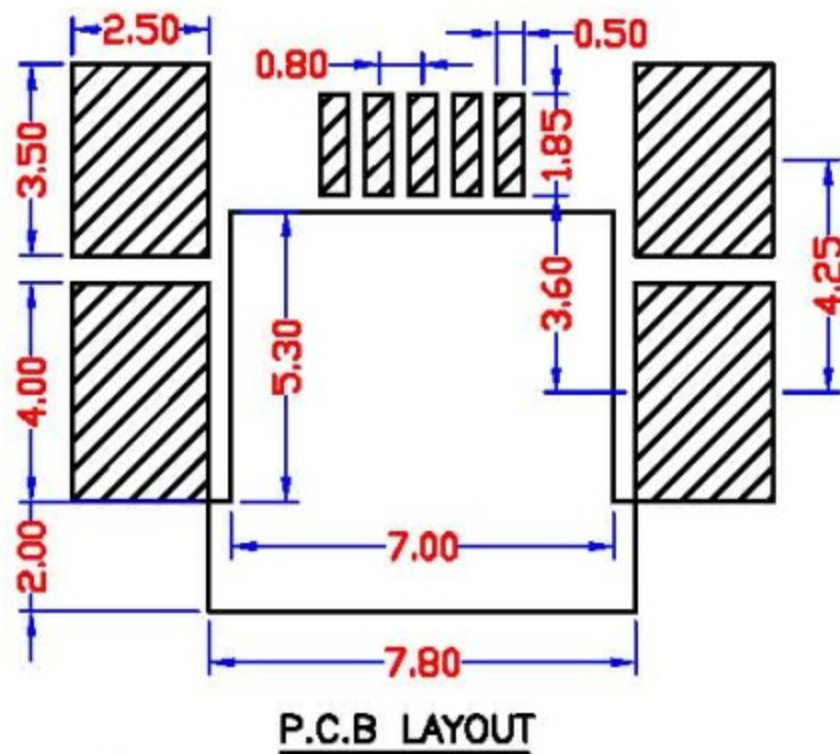
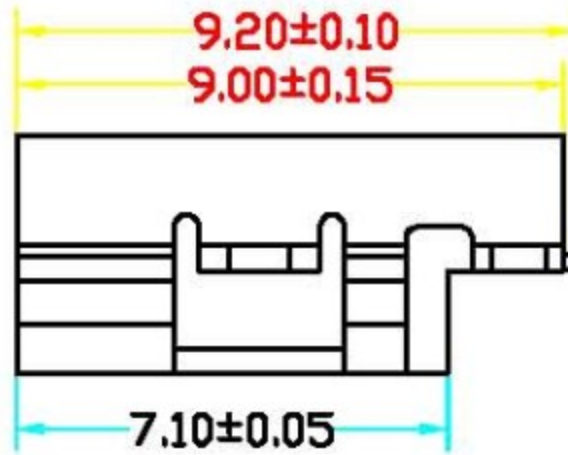
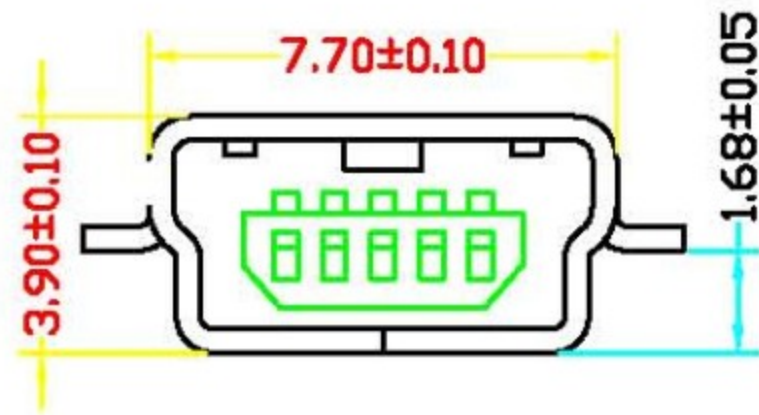
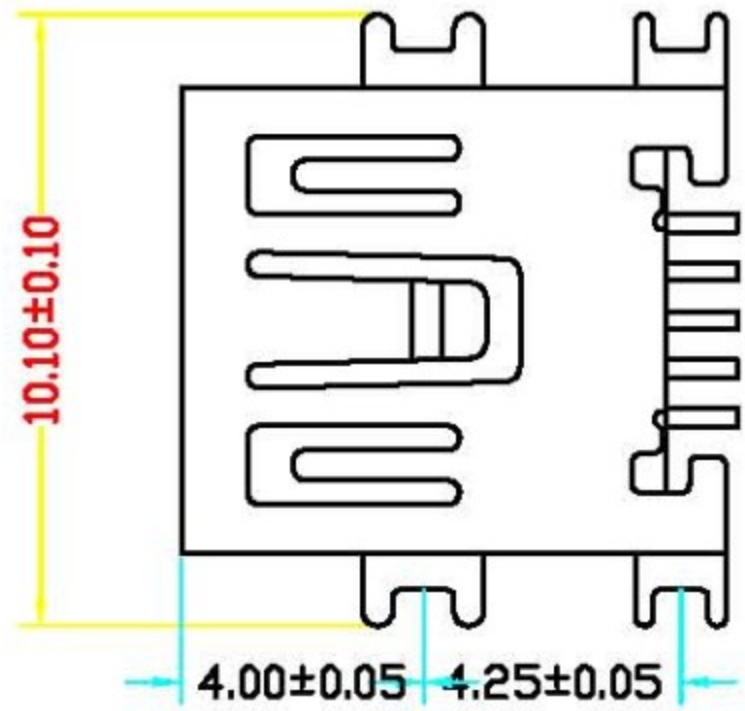


RoHS



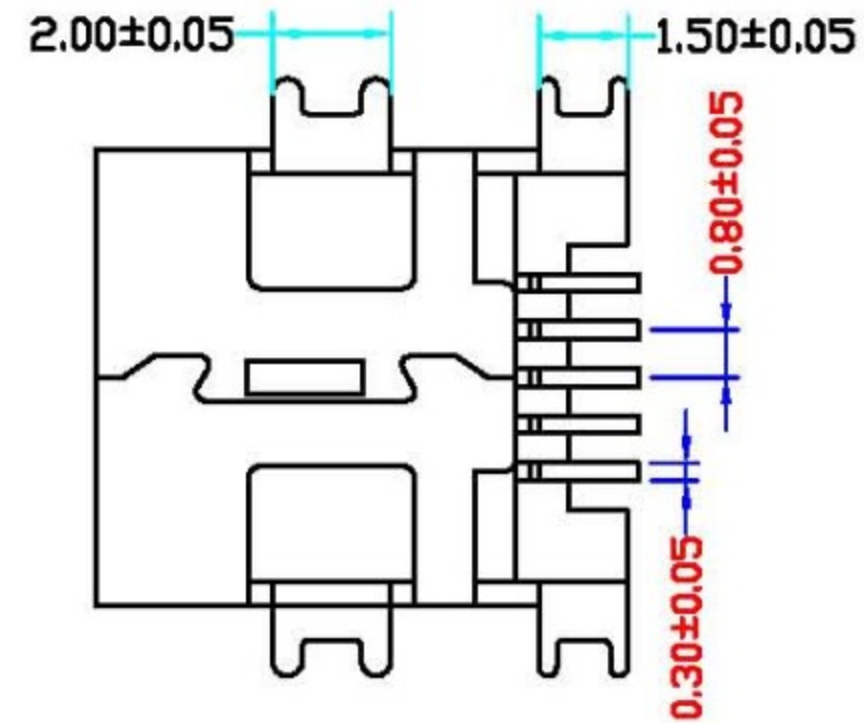
NOTE:

1. MATERIAL:

- a. HOUSING: PA9T GLASS FIBRE UL94 V-0; BLACK
- b. CONTACT: PHOSPHOR BRONZE T=0.25±0.02mm  
(SURFACE PLATING: Au1u" + Sn80~100u" + Ni60u")
- c. SHEEL: BRONZE T=0.40±0.02mm  
(SURFACE PLATING: Ni100u"~120u")

2. ELECTRIC:

- a. CONTACT RESISTANCE: 30 MILLIOHMS MAX
- b. INSULATION RESISTANCE: 1000 MEGA OHMS MIN
- c. DIELECTNIC VOLTAGE: 500V AC ONE SEC LEVEL
- d. OPERATING TEMPERATURE: -55°C~ 105°C



立原科技有限公司  
Easy Show Technology Corp.

Title:  
Mini USB B Type 5P Female 沈板式

Tolerances		App.	Dabbie	Units	Part no:
Linear	Angles	Chk.	Kitty	<input checked="" type="checkbox"/> mm <input type="checkbox"/> inch	
.X ±0.30	X' ±5°	Dr.	Eddy	Size	Dwg no:
.XX ±0.20	X' ±2°	Date.	2007.09.12	A4	
.XXX ±0.10	.XX' ±1°			Scale	Sheet
Projection				1:1	1/1