

# RoHS

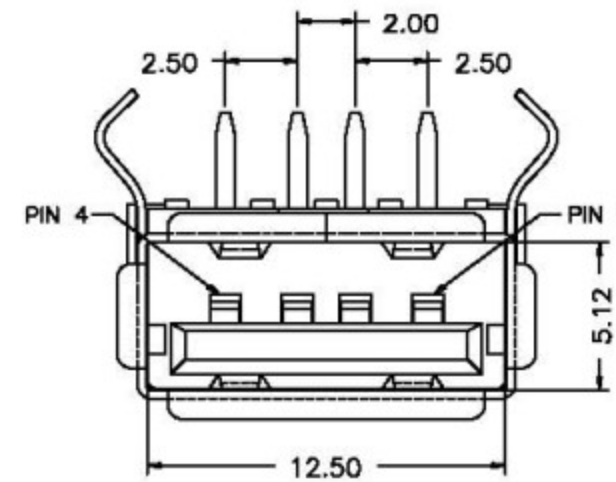
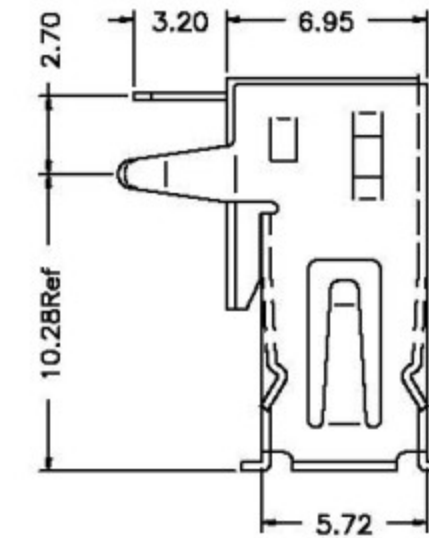
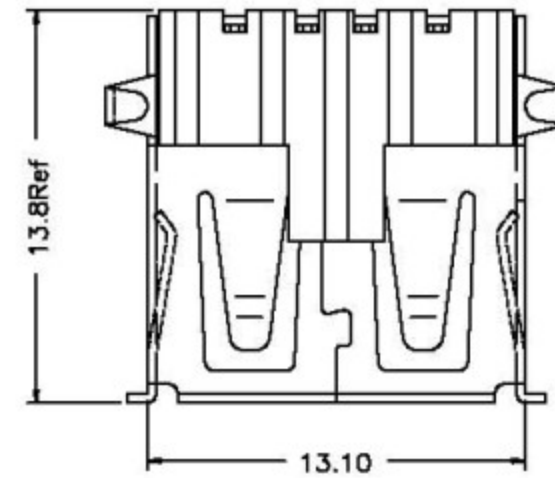
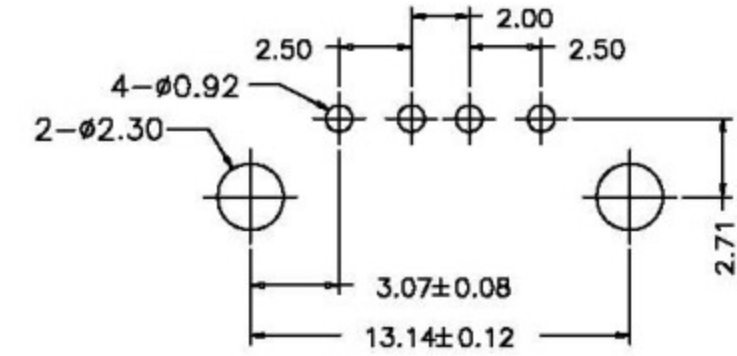
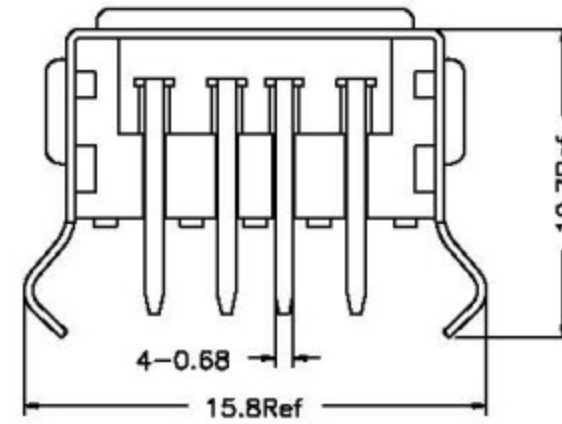
**Specification:**

Voltage Rating: 30V AC (rms).  
 Current Rating: 1.5Amp at 30V AC.  
 Dielectric Withstanding Voltage: AC 500V.  
 Insulation Resistance: 1000M ohm Min.  
 Contact Resistance: 30m ohm Max.  
 Operating Temperature: -25° C ~+85° C

**Material:**

Insulator: PBT+30% Glass Fiber or LCP (UL94V-0).  
 Contact: Copper Alloy.  
 Contact Plated : Tin/Lead in Soldering Area Gold Plated in Contact Area, Nickel all Over 100u" Min.  
 Outer Shell: Copper Alloy, Nickel or Tin Plated.  
 Color: Black / White

Recommended P.C.B Layout(Top Side)  
 (PCB BOARD TOLERANCE±0.05)



立原科技有限公司  
 Easy Show Technology Corp.

Title: USB AF 90度 DIP L=13.80

Tolerances		App.	Dabbie	Units	Part no:
Linear	Angles	Chk.	Kitty	<input checked="" type="checkbox"/> mm	
.X ±0.30	X' ±5°	Dr.	Eddy	<input type="checkbox"/> inch	Dwg no:
.XX ±0.20	X' ±2°	Date.	2007.09.12	Size A4	
.XXX ±0.10	.XX' ±1°			Scale 1:1	Sheet 1/1
Projection					