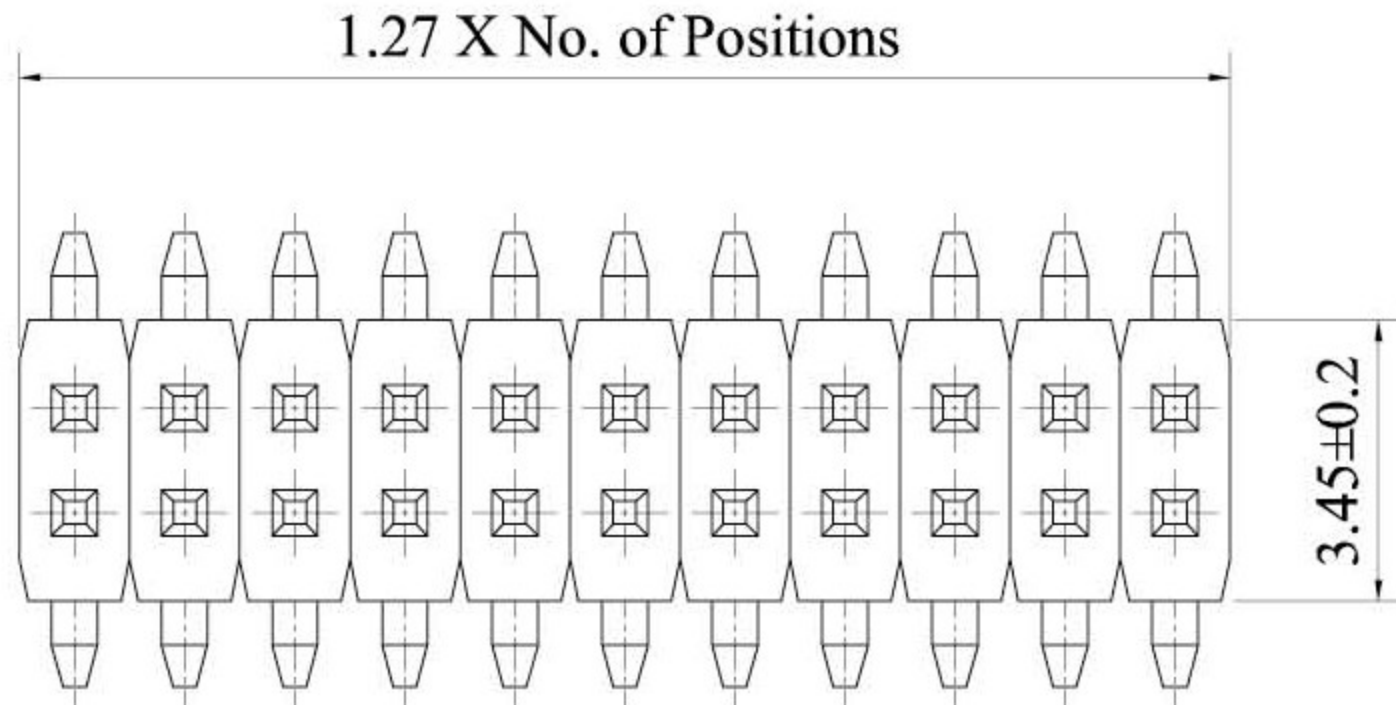
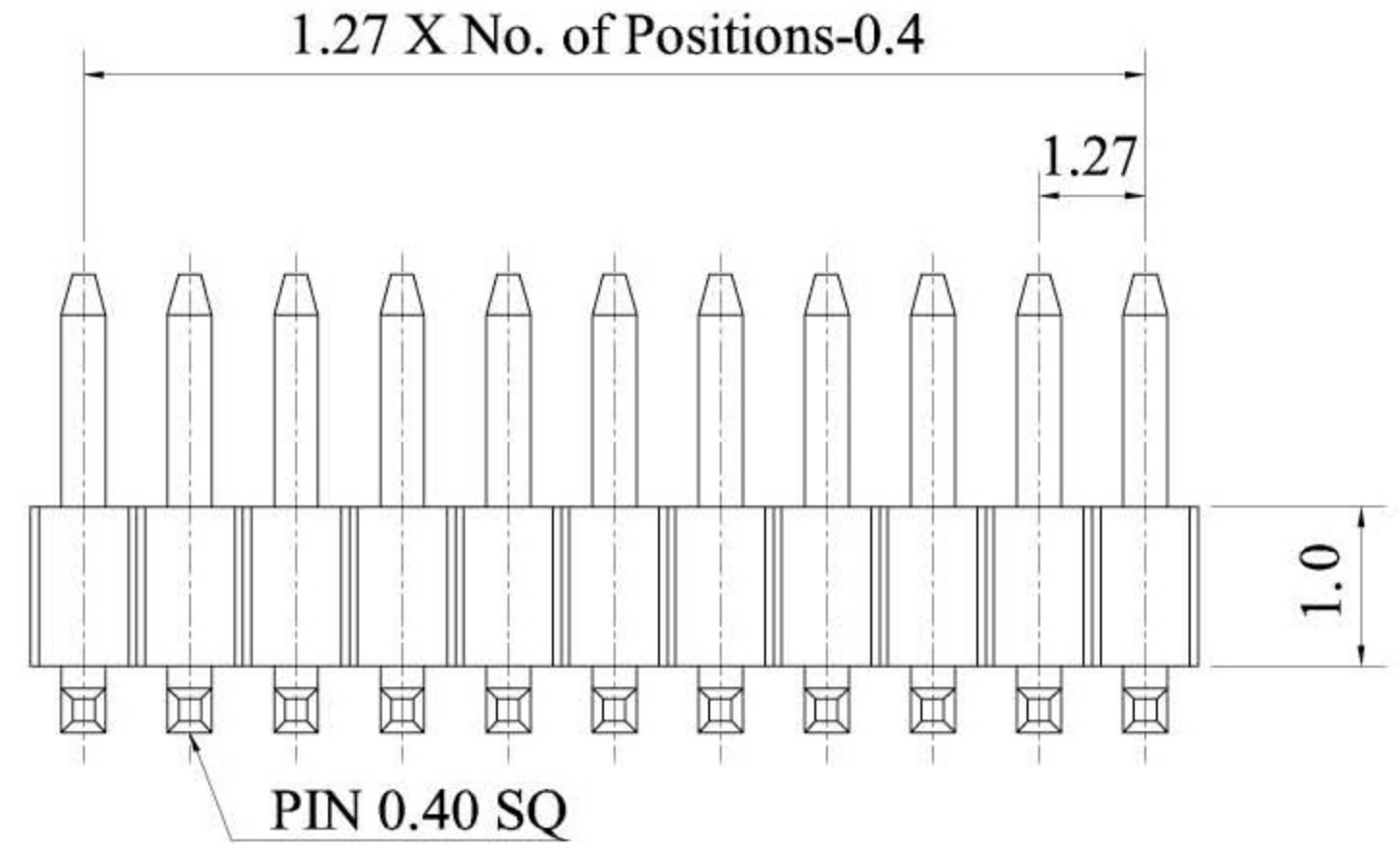
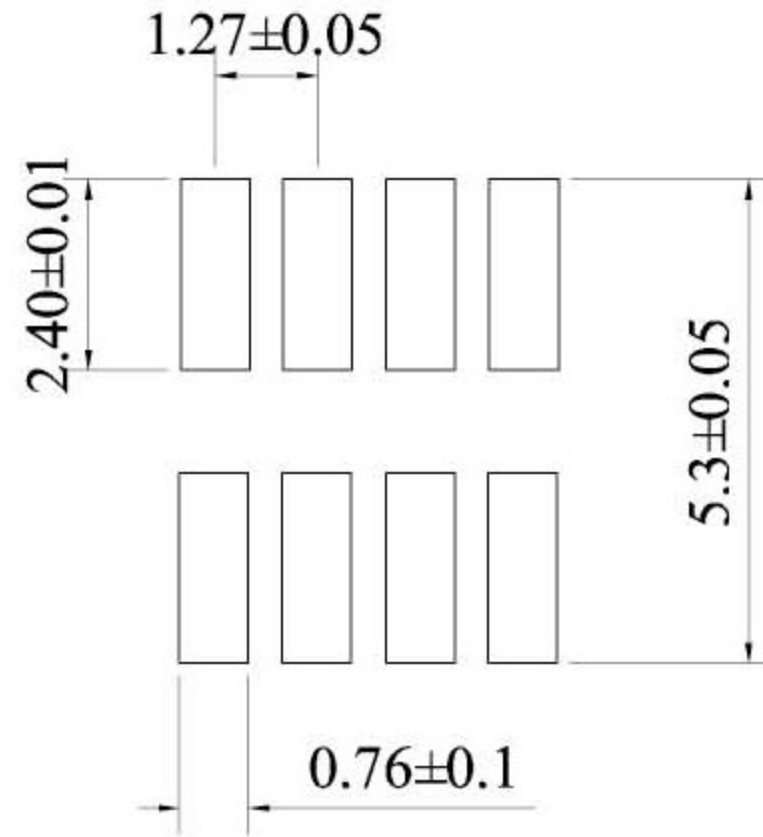
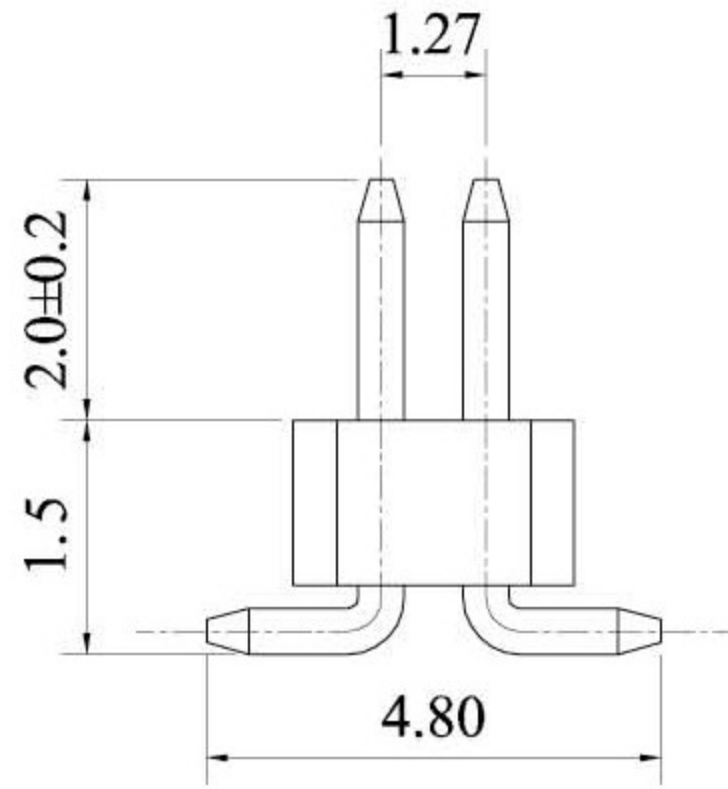


RoHS



No. of Pins/Row	Dimension Information		No. of Pins/Row	Dimension Information		No. of Pins/Row	Dimension Information	
	C	D		C	D		C	D
-	-	-	12	13.97	15.24	22	26.67	27.94
03	2.54	3.81	13	15.24	16.51	23	27.94	29.21
04	3.81	5.08	14	16.51	17.78	24	29.21	30.48
05	5.08	6.35	15	17.78	19.05	25	30.48	31.75
06	6.35	7.62	16	19.05	20.32	26	31.75	33.02
07	7.62	8.89	17	20.32	21.59	27	33.02	34.29
08	8.89	10.16	18	21.59	22.86	28	34.29	35.56
09	10.16	11.43	19	22.86	24.13	29	35.56	36.83
10	11.43	12.70	20	24.13	25.40	30	36.83	38.10
11	12.70	13.97	21	25.40	26.67	31	38.10	39.37

立原科技有限公司 Easy Show Technology Corp.			Title: Pin Header Pitch 1.0mm SMD Type	
Tolerances		App. Dabbie	Units	Part no:
Linear	Angles	Chk. Kitty	<input checked="" type="checkbox"/> mm <input type="checkbox"/> inch	Dwg no:
.X ±0.30	X' ±5°	Dr. Eddy	Size A4	
.XX ±0.20	X' ±2°	Date. 2007.09.12	Scale 1:1	Sheet 1/1
.XXX ±0.10	.XX' ±1°			
Projection				