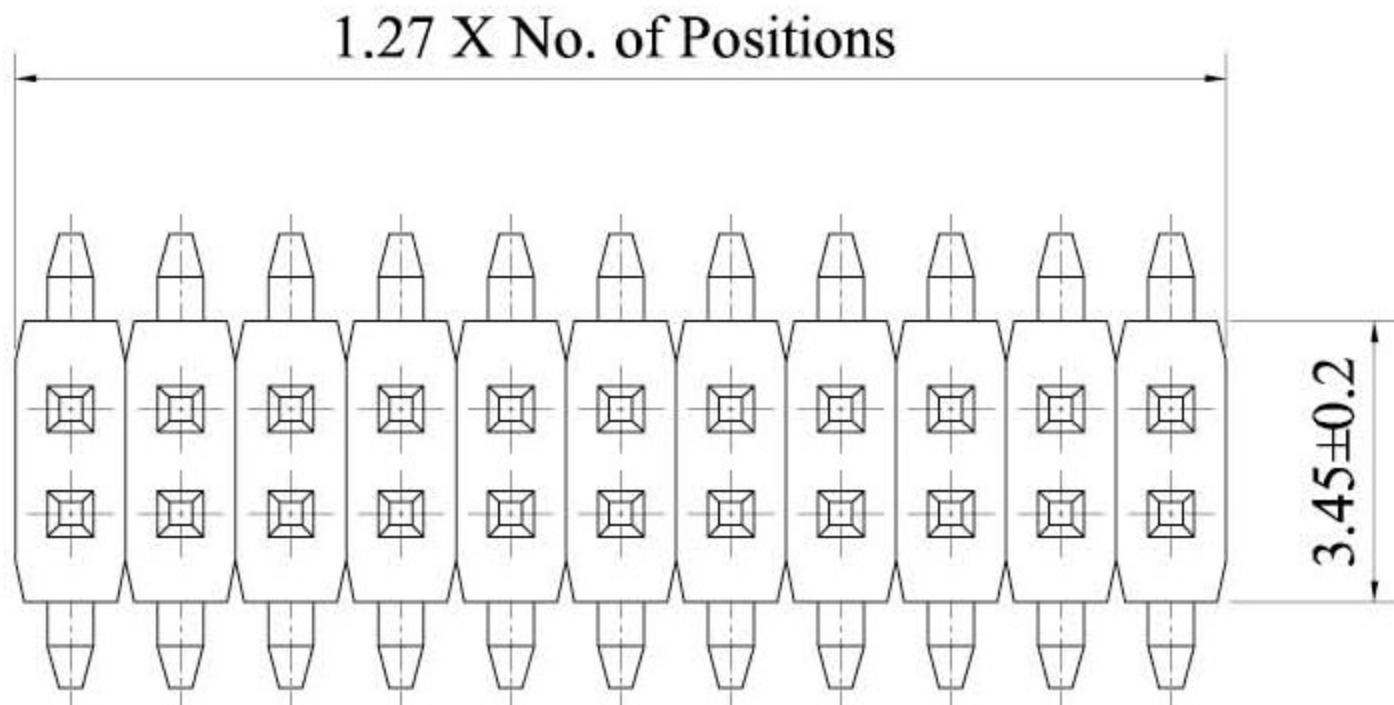
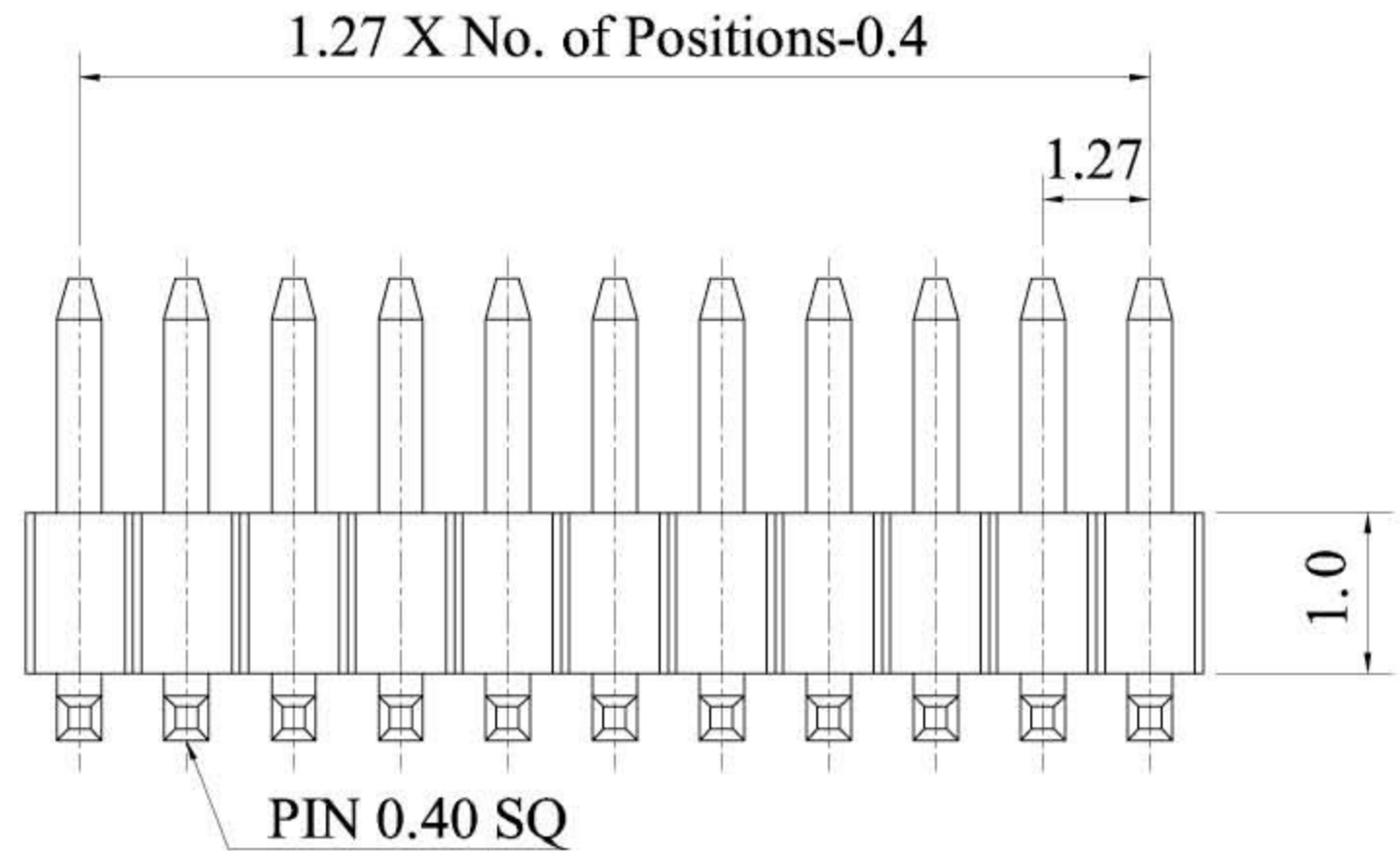
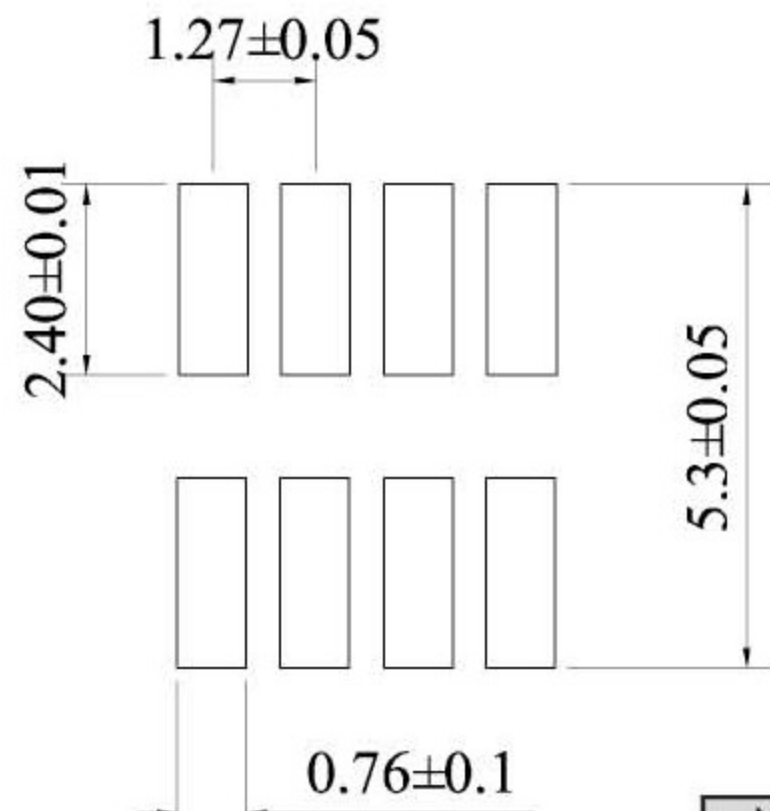
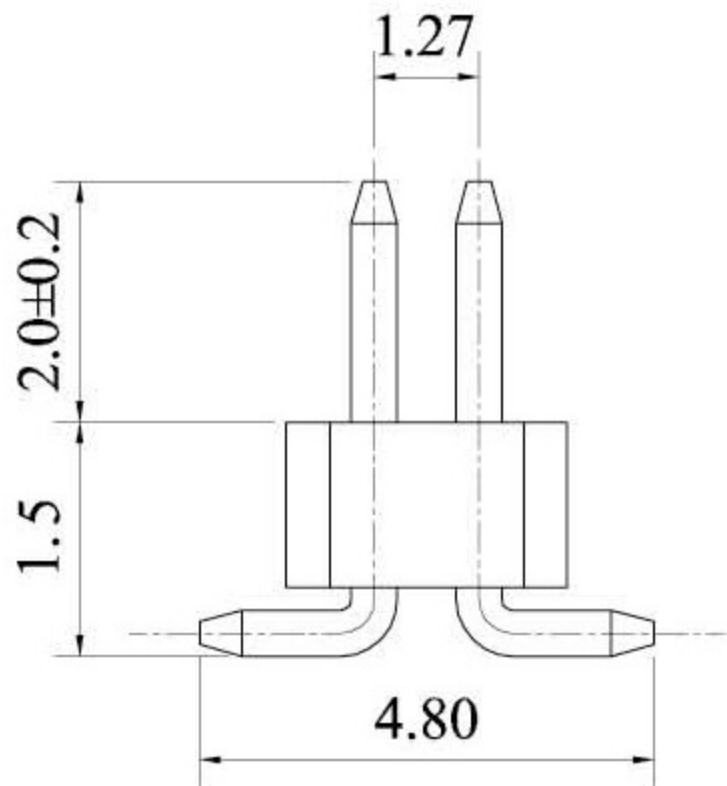


# RoHS



No. of Pins/Row	Dimension Information		No. of Pins/Row	Dimension Information		No. of Pins/Row	Dimension Information	
	C	D		C	D		C	D
-	-	-	12	13.97	15.24	22	26.67	27.94
03	2.54	3.81	13	15.24	16.51	23	27.94	29.21
04	3.81	5.08	14	16.51	17.78	24	29.21	30.48
05	5.08	6.35	15	17.78	19.05	25	30.48	31.75
06	6.35	7.62	16	19.05	20.32	26	31.75	33.02
07	7.62	8.89	17	20.32	21.59	27	33.02	34.29
08	8.89	10.16	18	21.59	22.86	28	34.29	35.56
09	10.16	11.43	19	22.86	24.13	29	35.56	36.83
10	11.43	12.70	20	24.13	25.40	30	36.83	38.10
11	12.70	13.97	21	25.40	26.67	31	38.10	39.37

No. of Pins/Row	Dimension Information	
	C	D
32	39.37	40.64
33	40.64	41.91

<b>立原科技有限公司</b> Easy Show Technology Corp.			Title: 1.27X1.27 Pin Header SMD Daul Row	
Tolerances Linear: .X ±0.30, .XX ±0.20, .XXX ±0.10 Angles: X' ±5°, X' ±2°, .XX' ±1° Projection:		App. Dabbie Chk. Kitty Dr. Eddy Date. 2007.09.12	Units: <input checked="" type="checkbox"/> mm, <input type="checkbox"/> inch Size: A4 Scale: 1:1	Part no: Dwg no: Sheet: 1/1