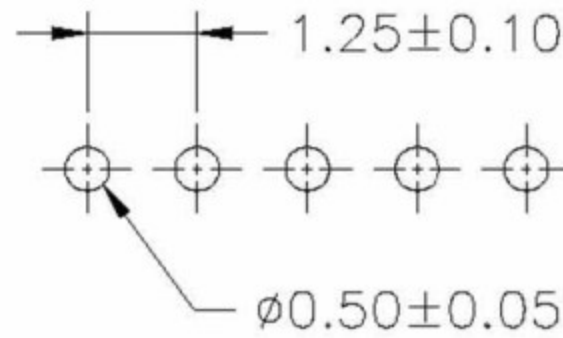
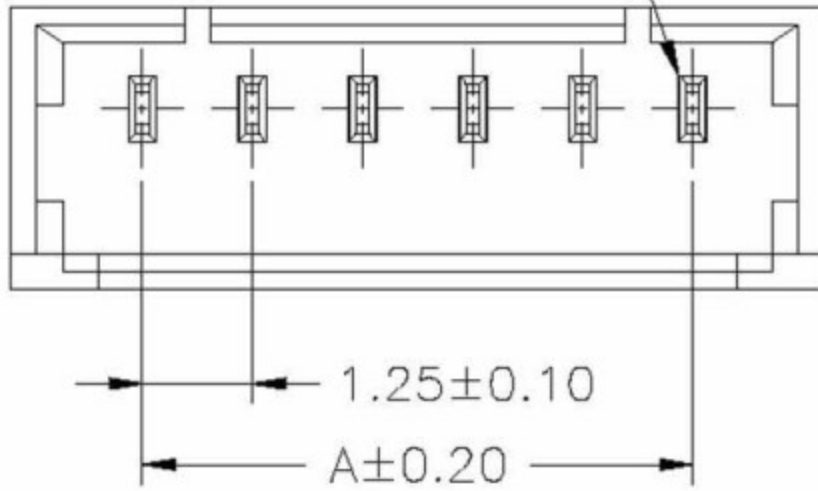


RoHS

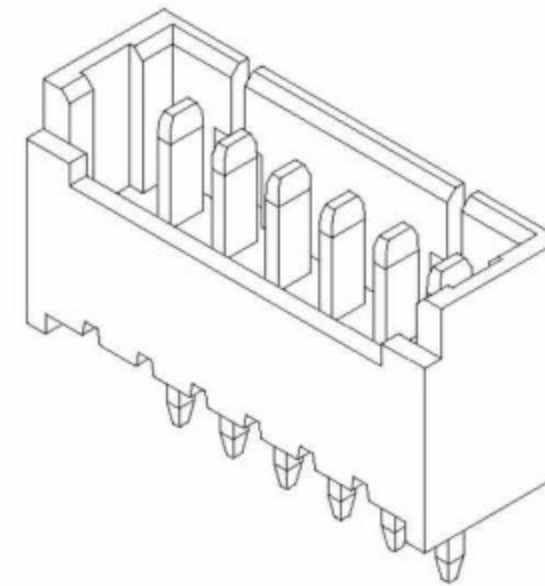
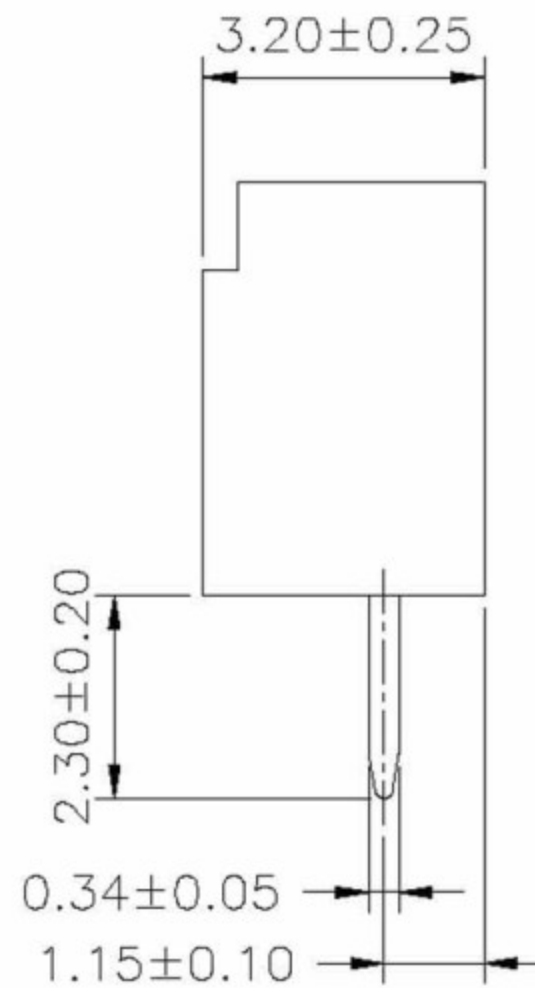
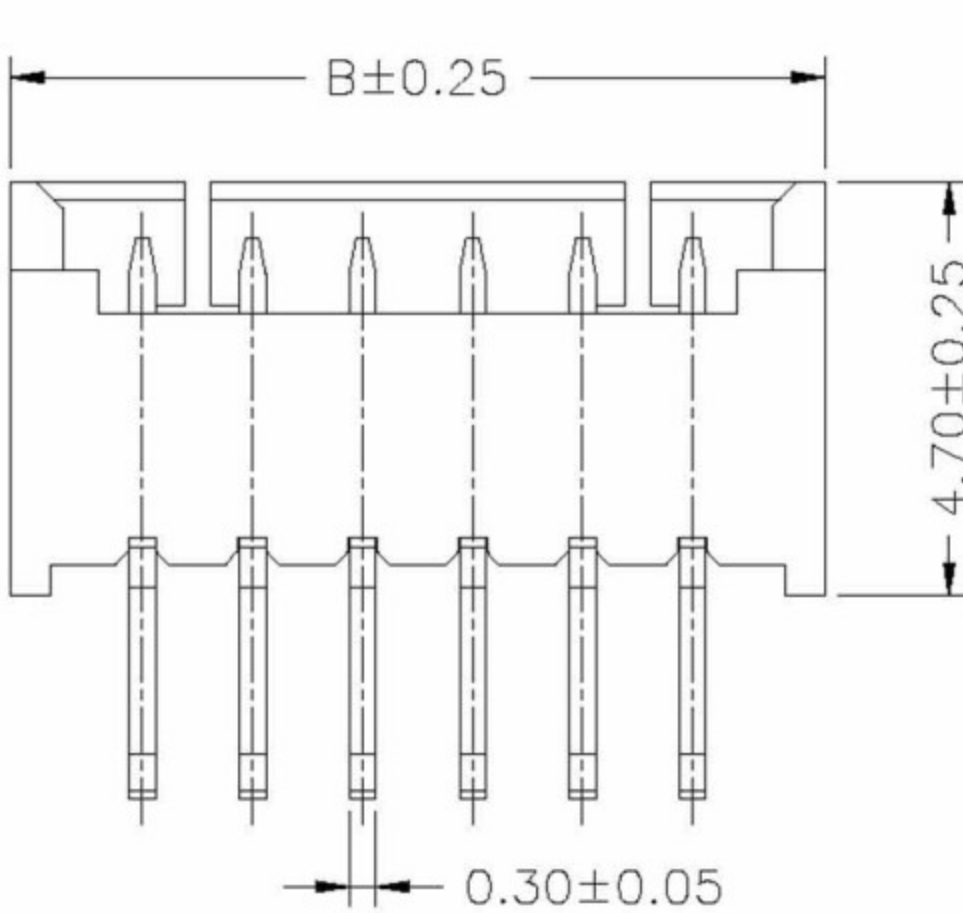
SPECIFICATIONS

Current Rating: 1A AC,DC
 Voltage Rating: 100V AC,DC
 Temperature Range: -25°C ~ +85°C
 Contact Resistance: 20mΩ Max.
 Insulation Resistance: 500MΩ Min.
 Withstanding Voltage: 500V AC/minute
 Pin Material: Phosphor Bronze/Tin-plated
 Material: Nylon 6T,UL94V-0

Circuit 1



P.C.B LAYOUT



Dimensions

PART NO.	Dimensions	
	A	B
2P	1.25	4.25
3P	2.50	5.50
4P	3.75	6.75
5P	5.00	8.00
6P	6.25	9.25
7P	7.50	10.50
8P	8.75	11.75
9P	10.00	13.00
10P	11.25	14.25
11P	12.50	15.50
12P	13.75	16.75
13P	15.00	18.00
14P	16.25	19.25
15P	17.50	20.50

立原科技有限公司
 Easy Show Technology Corp.

Title: wafer Pitch 1.25mm
 單排, 180度, DIP Type

Tolerances		App.	Dabbie	Units <input checked="" type="checkbox"/> mm <input type="checkbox"/> inch	Part no:
Linear	Angles				
.X ±0.30	X' ±5°	Dr.	Eddy	Scale 1:1	Sheet 1/1
.XX ±0.20	X' ±2°	Date.	2007.09.12		
.XXX ±0.10	.XX' ±1°				
Projection 					