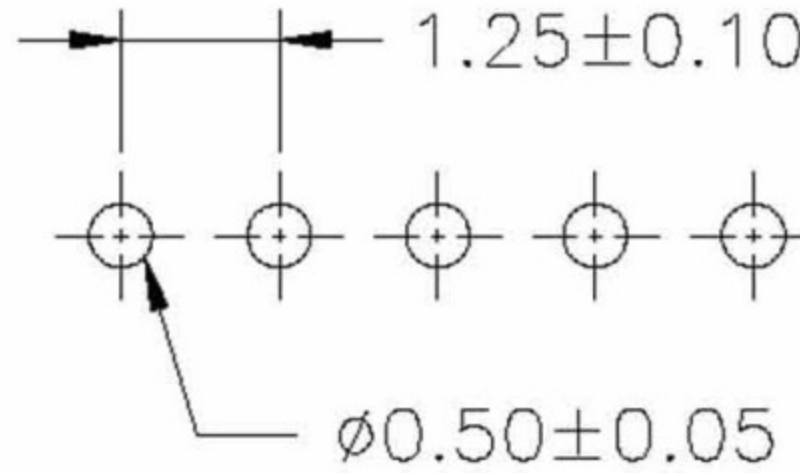
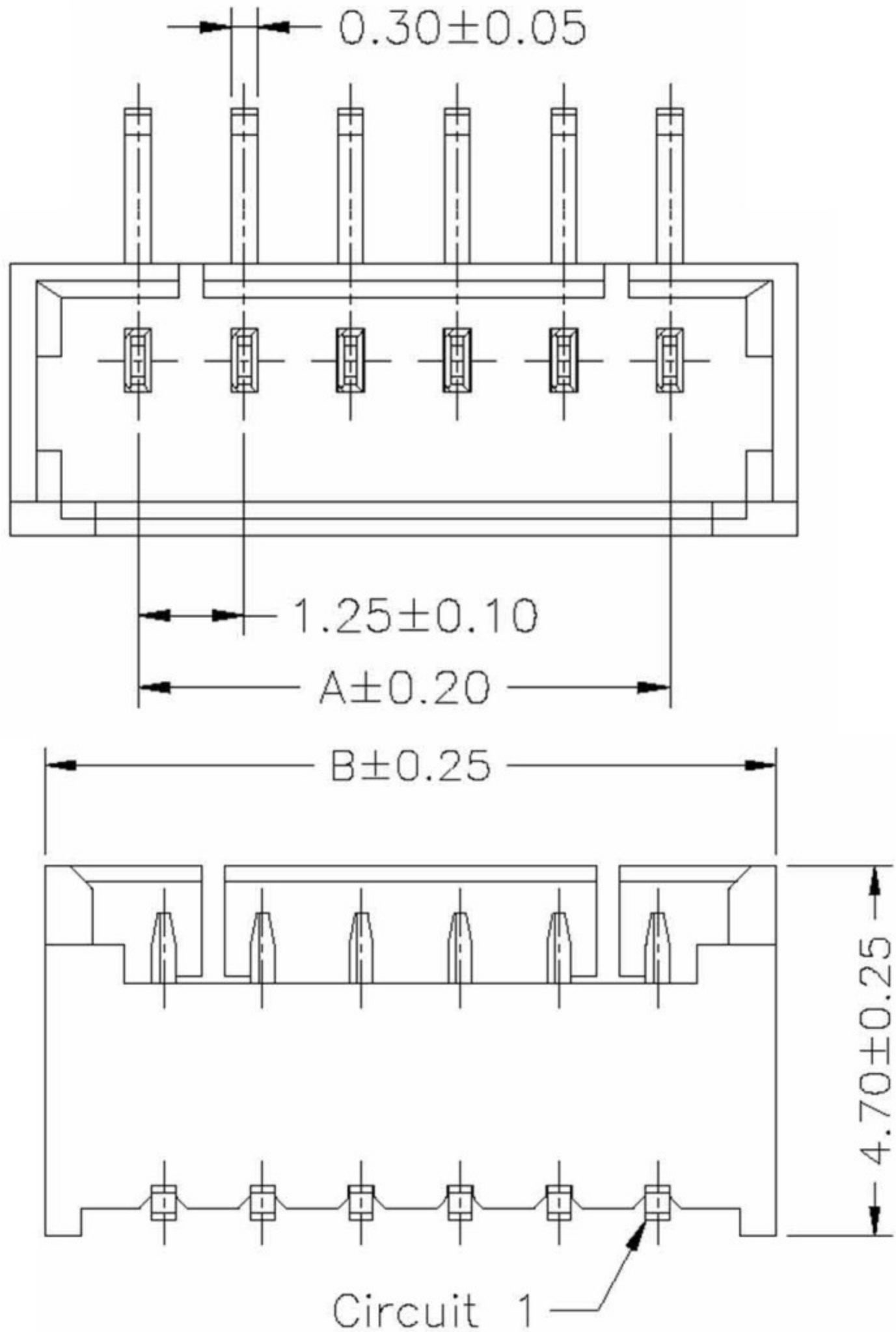


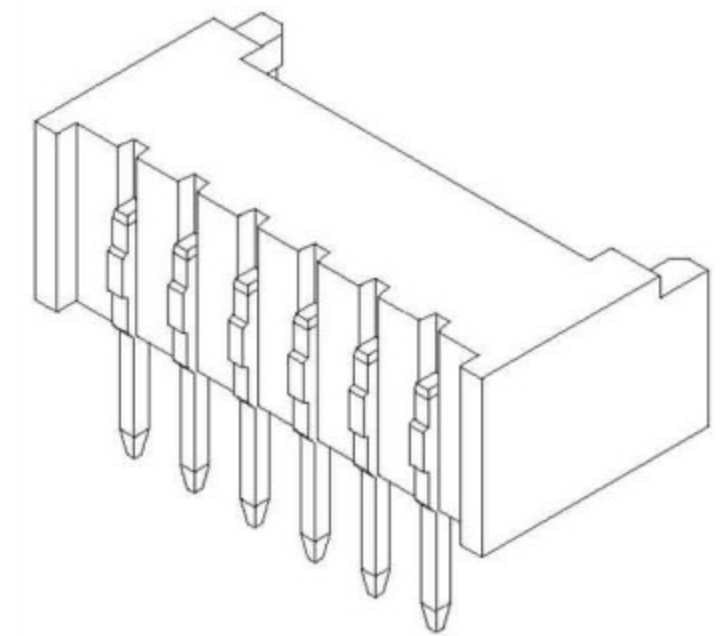
RoHS

SPECIFICATIONS

Current Rating: 1A AC,DC
 Voltage Rating: 100V AC,DC
 Temperature Range: $-25^{\circ}\text{C} \sim +85^{\circ}\text{C}$
 Contact Resistance: 20m Ω Max.
 Insulation Resistance: 500M Ω Min.
 Withstanding Voltage: 500V AC/minute
 Pin Material: Phosphor Bronze/Tin-plated
 Material: Nylon 6T,UL94V-0



P.C.B LAYOUT



立原科技有限公司 Easy Show Technology Corp.		Title: wafer Pitch 1.25mm 90度, DIP Type	
Tolerances		App. Dabbie	Units <input checked="" type="checkbox"/>
Linear	Angles	Chk. Kitty	Part no:
.X ± 0.30	X' $\pm 5^{\circ}$	Dr. Eddy	Size A4
.XX ± 0.20	X' $\pm 2^{\circ}$	Date. 2007.09.12	Dwg no:
.XXX ± 0.10	.XX' $\pm 1^{\circ}$	Scale 1:1	Sheet 1/1
Projection			