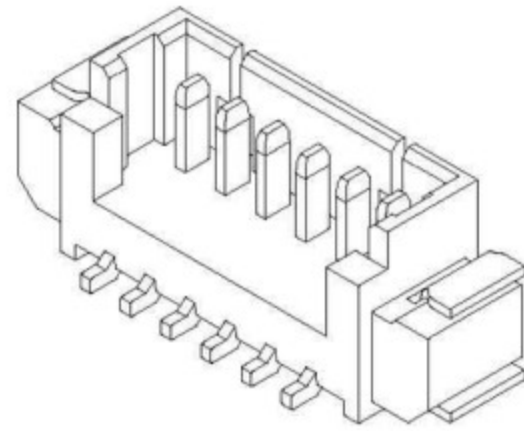


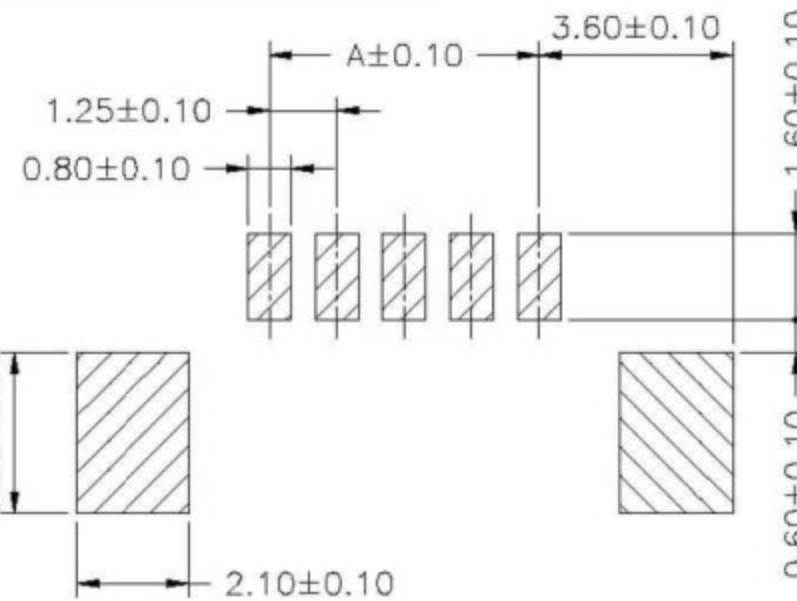
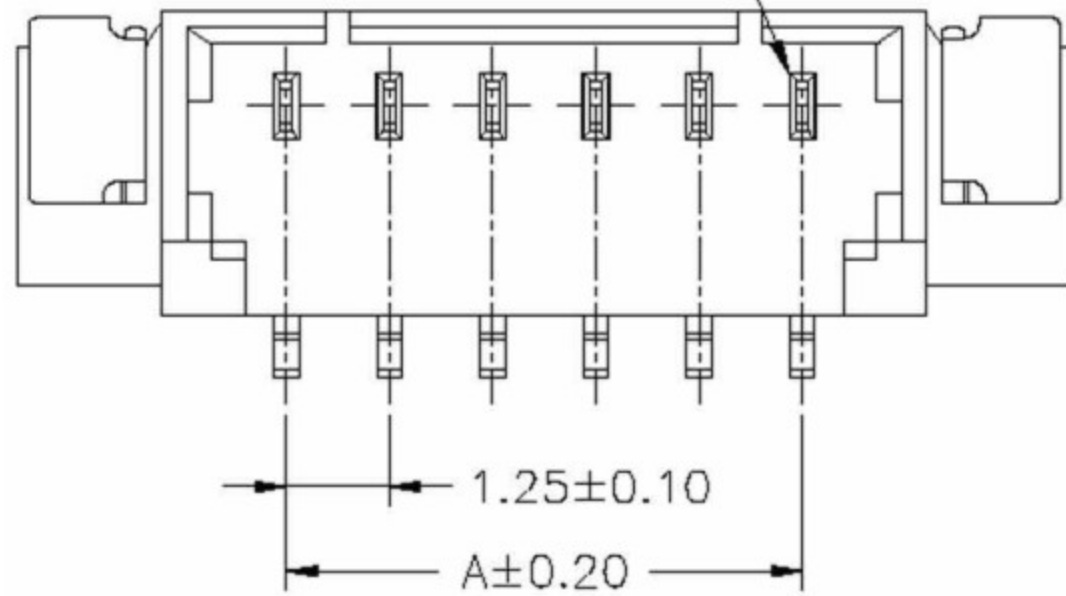
 E179987
 LR113464



SPECIFICATIONS

Current Rating: 1A AC,DC
 Voltage Rating: 100V AC,DC
 Temperature Range: -25°C ~ +85°C
 Contact Resistance: 20mΩ Max.
 Insulation Resistance: 500MΩ Min.
 Withstanding Voltage: 500V AC/minute
 Pin Material: Phosphor Bronze/Tin-plated
 Solder Tabs: Phosphor Bronze/Tin-plated
 Material: Nylon 6T,UL94V-0

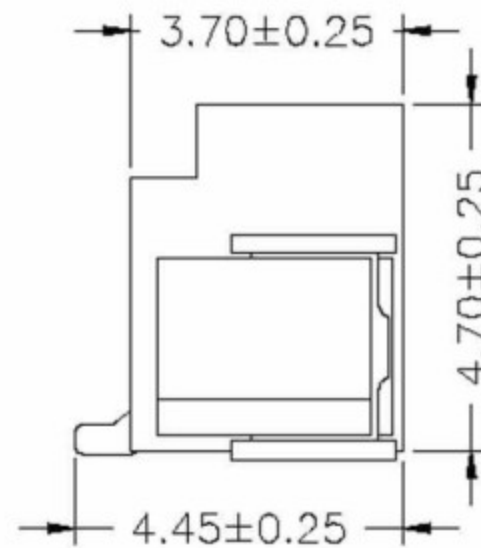
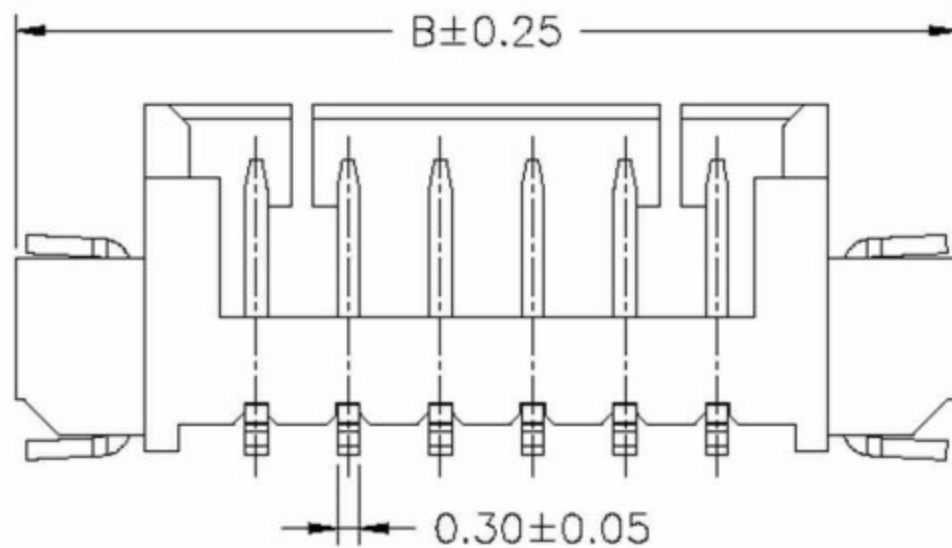
Circuit 1



P.C.B. LAYOUT

Dimensions

PART NO.	Dimensions	
	A	B
S-2P	1.25	7.75
S-3P	2.50	9.00
S-4P	3.75	10.25
S-5P	5.00	11.50
S-6P	6.25	12.75
S-7P	7.50	14.00
S-8P	8.75	15.25
S-9P	10.00	16.50
S-10P	11.25	17.75
S-11P	12.50	19.00
S-12P	13.75	20.25
S-13P	15.00	21.50
S-14P	16.25	22.75
S-15P	17.50	24.00



立原科技有限公司
 Easy Show Technology Corp.

Title: wafer Pitch 1.25mm
 180度, SMD Type

Tolerances		App.	Dabbie	Units	Part no:
Linear	Angles	Chk.	Kitty	<input checked="" type="checkbox"/> mm <input type="checkbox"/> inch	Dwg no:
.X ±0.30	X' ±5°	Dr.	Eddy	Size A4	
.XX ±0.20	X' ±2°	Date.	2007.09.12	Scale 1:1	Sheet 1/1
.XXX ±0.10	.XX' ±1°				
Projection					