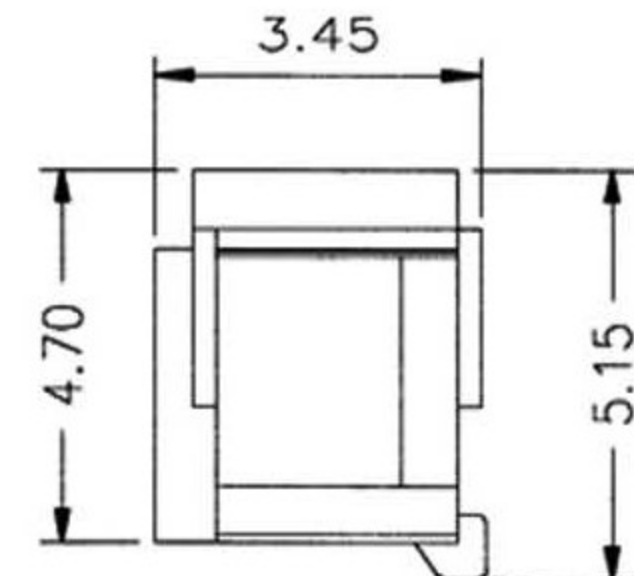
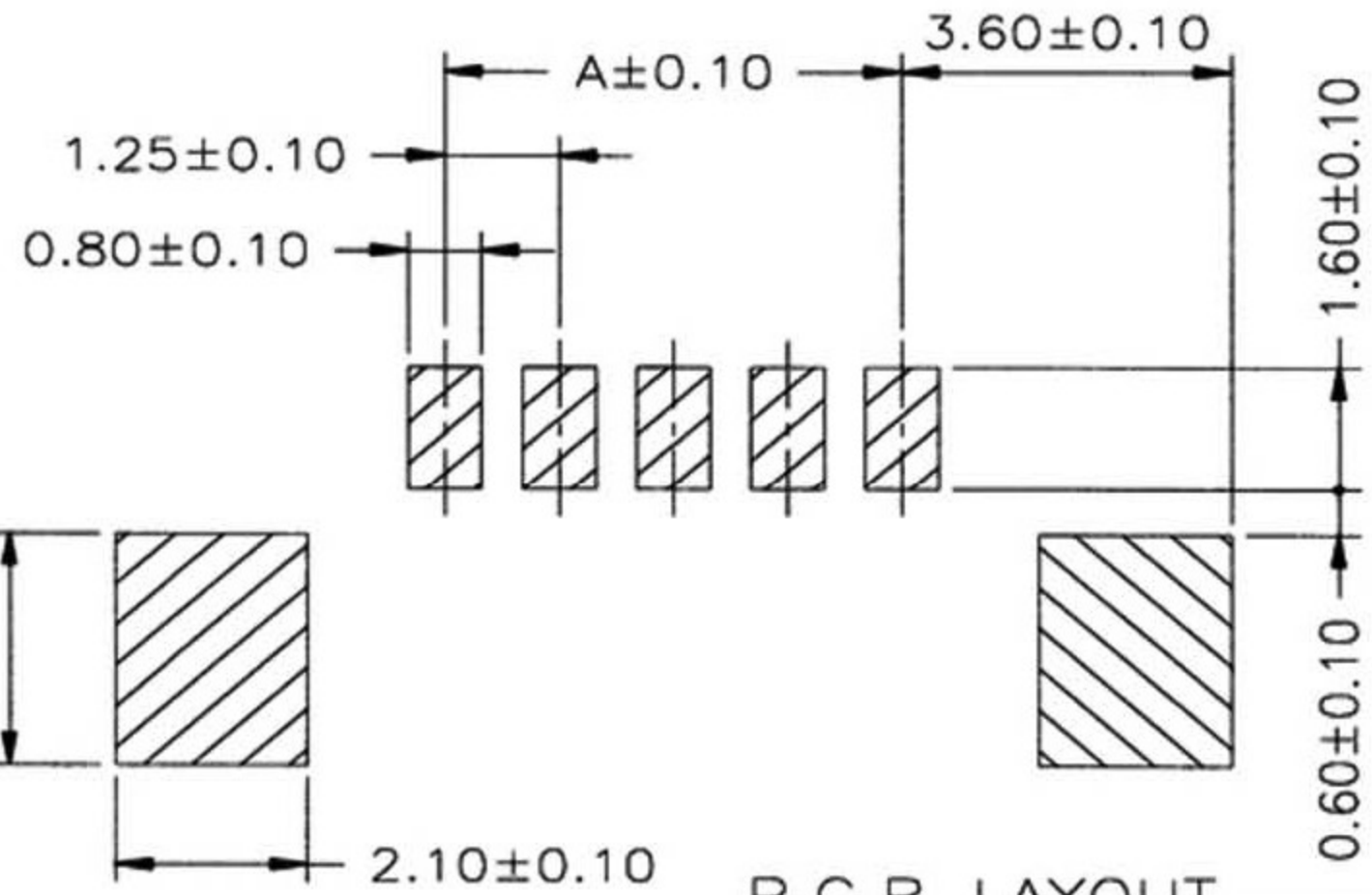
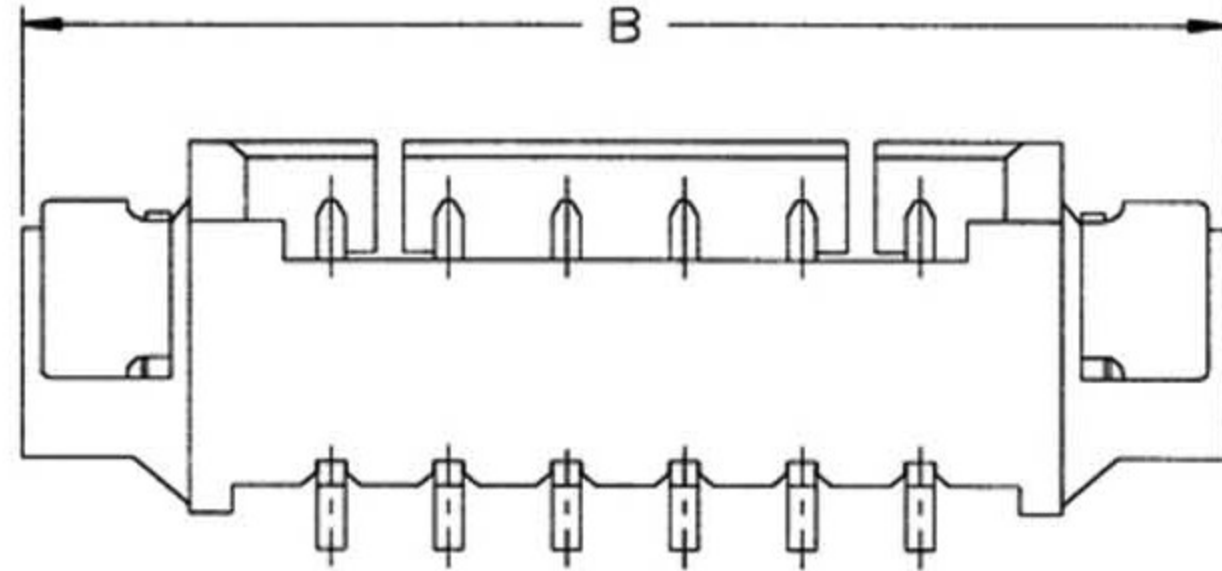
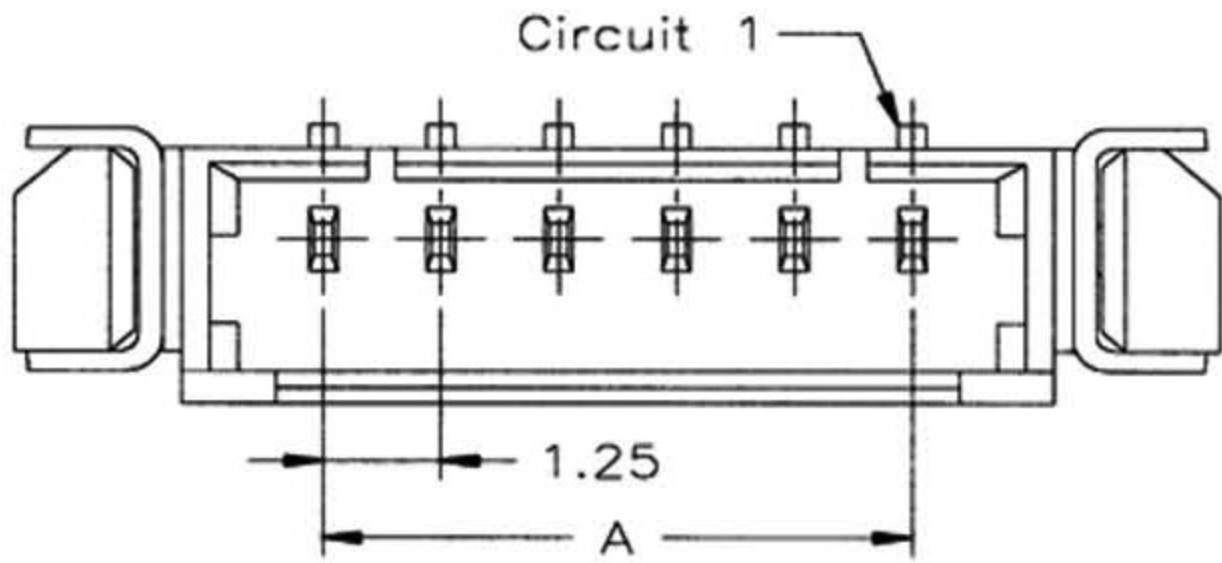


RoHS



PART NO.	Dimensions	
	A	B
2P	1.25	7.75
3P	2.50	9.00
4P	3.75	10.25
5P	5.00	11.50
6P	6.25	12.75
7P	7.50	14.00
8P	8.75	15.25
9P	10.00	16.50
10P	11.25	17.75
11P	12.50	19.00
12P	13.75	20.25
13P	15.00	21.50
14P	16.25	22.75
15P	17.50	24.00

立原科技有限公司 Easy Show Technology Corp.		Title: Wafer Pitch 1.25mm Single Row, SMD Type	
Tolerances		App. Dabbie	Units <input checked="" type="checkbox"/> mm <input type="checkbox"/> inch
Linear	Angles	Chk. Kitty	Size A4
.X ±0.30	X' ±5°	Dr. Eddy	Scale 1:1
.XX ±0.20	X' ±2°	Date. 2007.09.12	Sheet 1/1
.XXX ±0.10	.XX' ±1°		
Projection			