

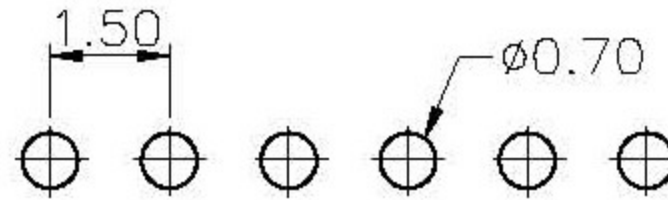
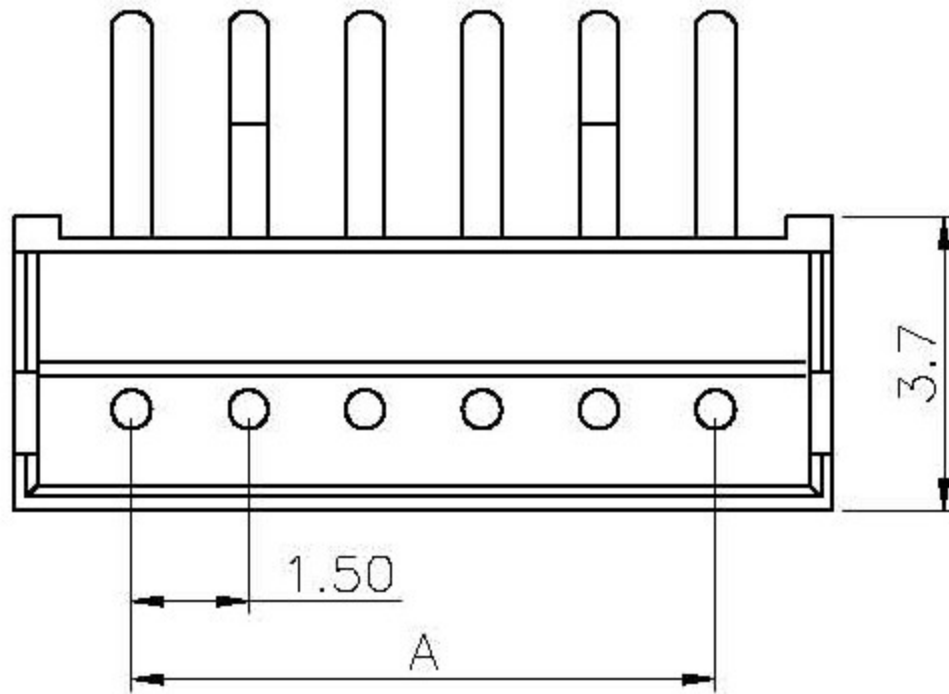
RoHS

MATERIAL:

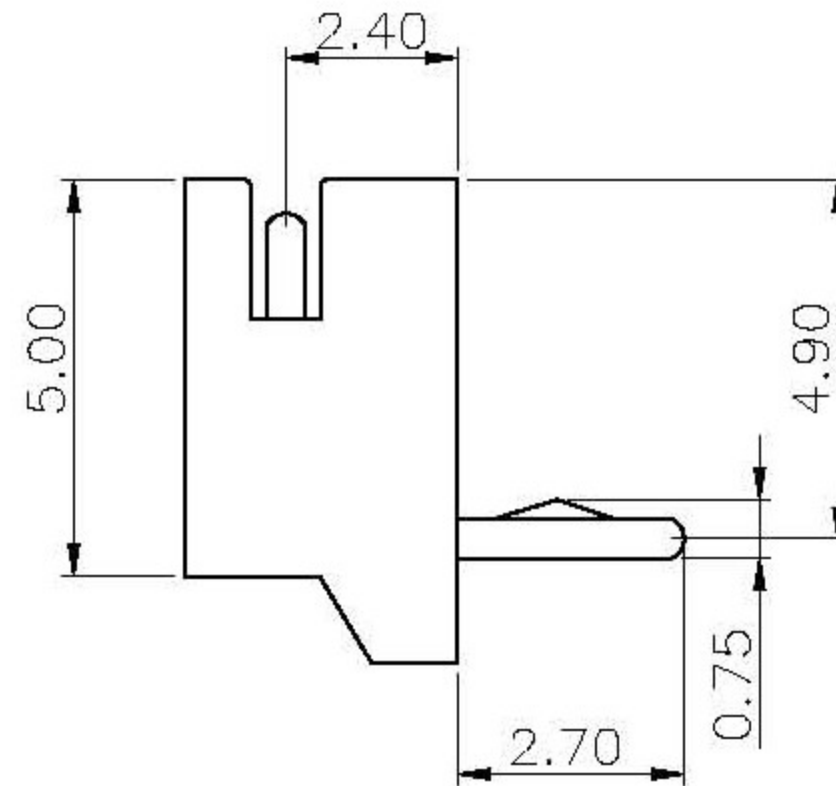
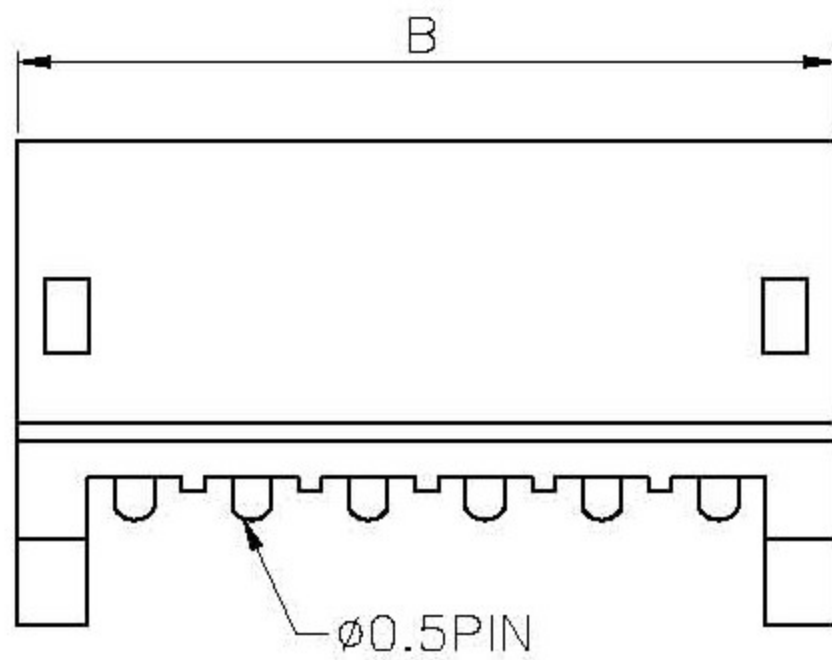
INSULATOR : NYLON 66, UL 94V-0
 CONTACT : COPPER ALLOY
 CONTACT FINISH : TIN OVER NICKEL PLATED

SPECIFICATION:

CURRENT RATING : 1A
 DIELECTRIC WITHSTANDING VOLTAGE : 500V AC PER MINUTE
 INSULATION RESISTANCE : 500MΩ MIN.
 CONTACT RESISTANCE : 20mΩ MAX.
 OPERATING TEMPERATURE : -25°C ~ +85°C.



P.C.B. LAYOUT



POSITION	A	B
2	1.50	4.50
3	3.00	6.00
4	4.45	7.50
5	6.00	9.00
6	7.50	10.50
7	9.00	12.00
8	10.50	13.50
9	12.00	15.00
10	13.50	16.50
11	15.00	18.00
12	16.50	19.50
13	18.00	21.00

立原科技有限公司
 Easy Show Technology Corp.

Title: wafer Pitch 1.5mm
 90度, DIP Type

Tolerances		App.	Dabbie	Units	Part no:
Linear	Angles	Chk.	Kitty	<input checked="" type="checkbox"/> mm	
.X ±0.30	X' ±5°	Dr.	Eddy	Size	Dwg no:
.XX ±0.20	X' ±2°	Date.	2007.09.12	A4	
.XXX ±0.10	.XX' ±1°			Scale	Sheet
Projection				1:1	1/1