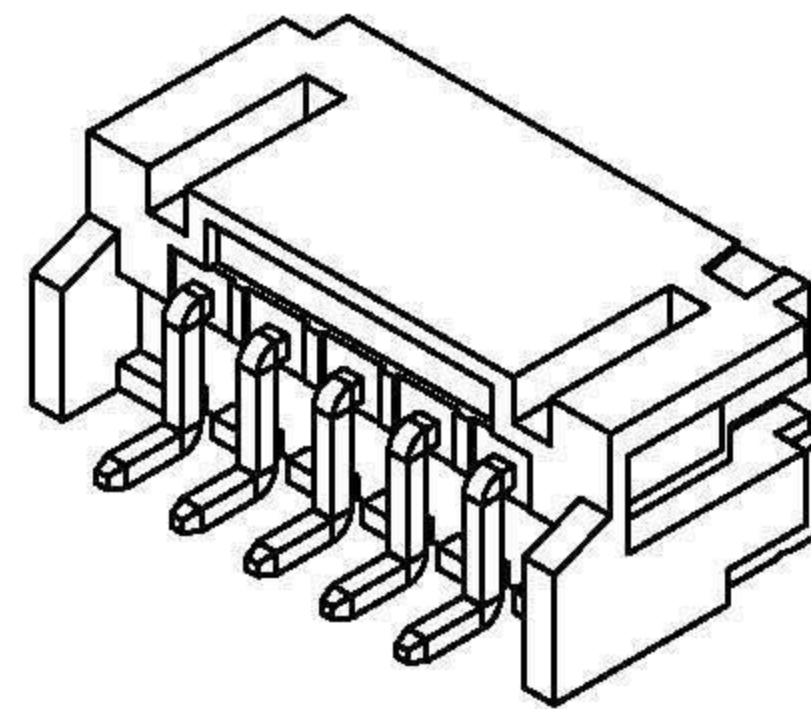
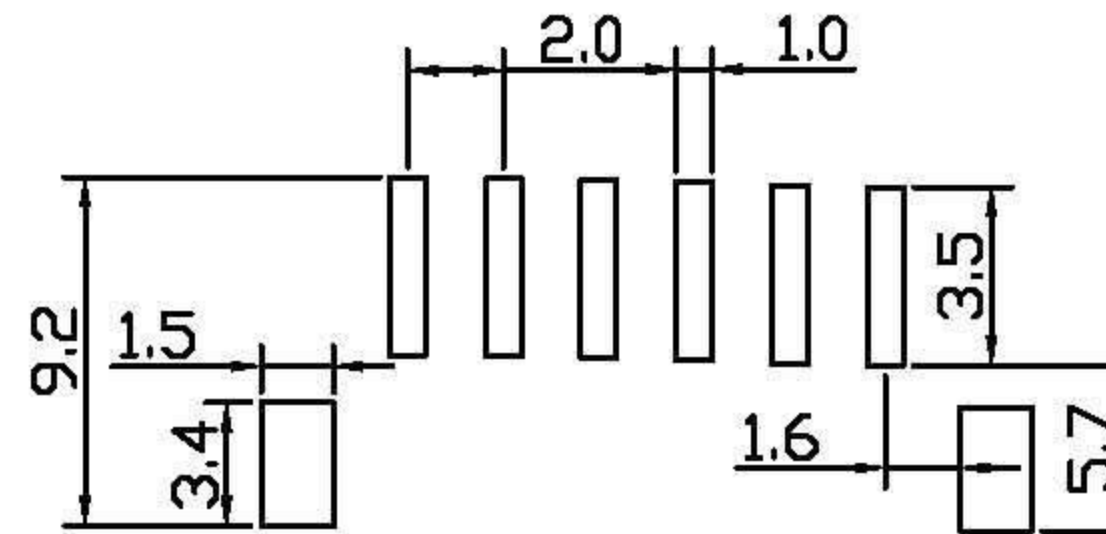
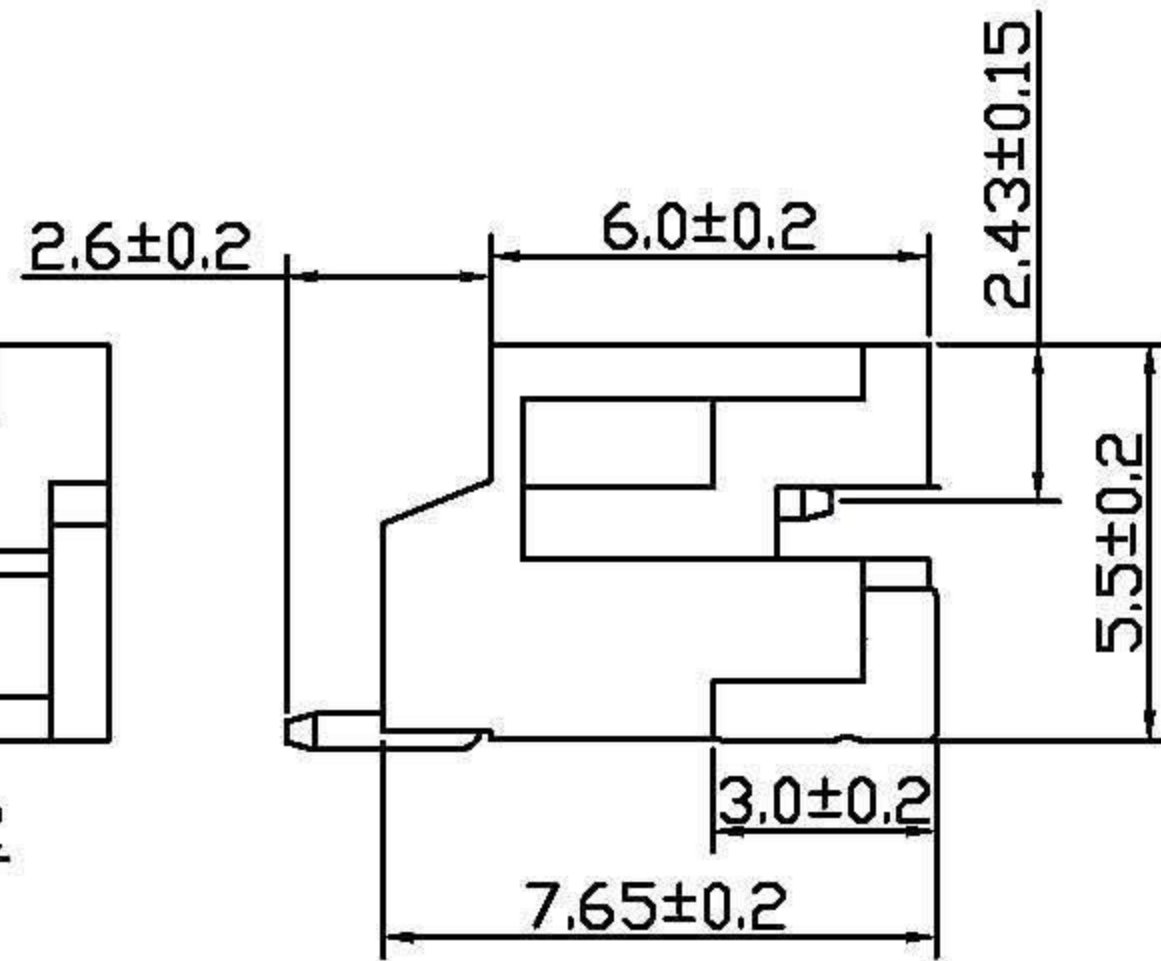
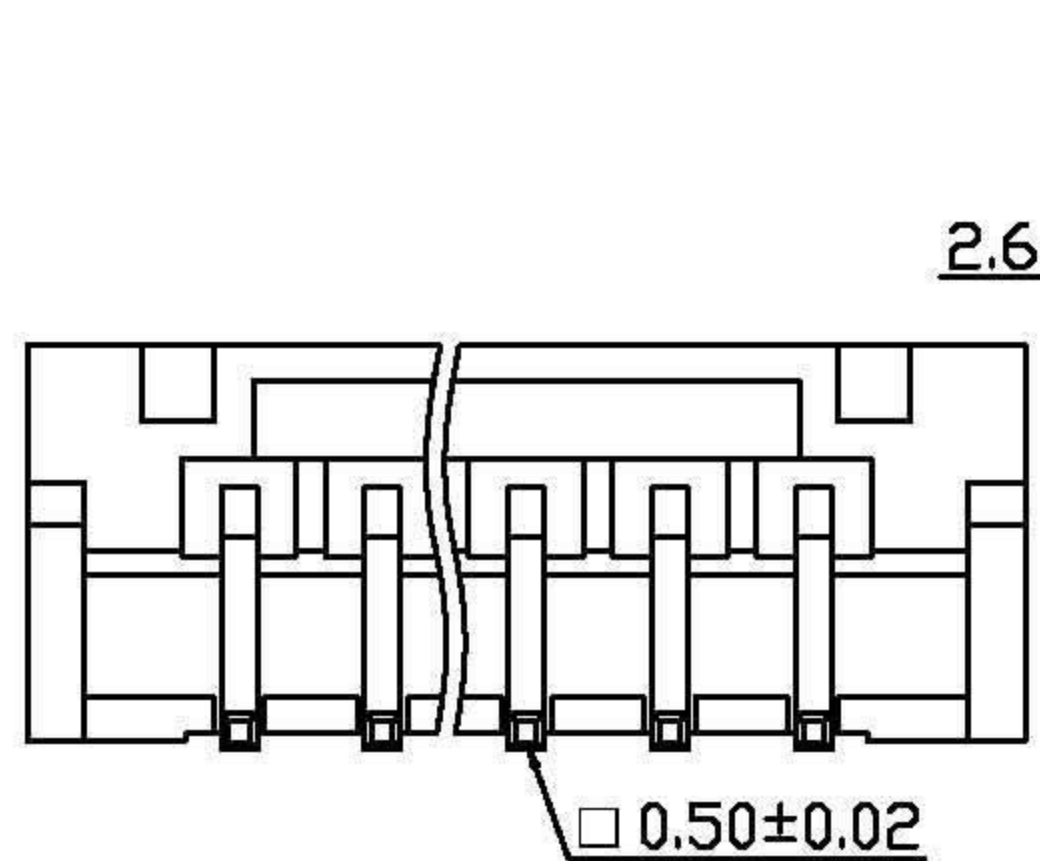


剖視圖 A-A



SPECIFICATIONS

Current rating	:2A AC, DC
Voltage rating	:100V AC, DC
Temperature range	: -25°C ~ +85°C
Contact resistance	:20mΩMax
Insulation resistance	:1000MΩMin
Withstanding voltage	:800 V AC/minute
Finished	:Tin-plated
Housing Material	:Nylon-6T, UL94 V-0
Color	:Nature (Beige)



P.C.B Hole Layout

Circuits	Dimension mm	
	A(mm)	B(mm)
02	2.0	8.0
03	4.0	10.0
04	6.0	12.0
05	8.0	14.0
06	10.0	16.0
07	12.0	18.0
08	14.0	20.0
09	16.0	22.0
10	18.0	24.0
11	20.0	26.0
12	22.0	28.0
13	24.0	30.0
14	26.0	32.0
15	28.0	34.0
16	30.0	36.0

立原科技有限公司 Easy Show Technology Corp.		Title: wafer Pitch 2.0mm 90度, SMD Type	
Tolerances		App. Dabbie	Units <input type="checkbox"/>
Linear	Angles	Chk. Kitty	Part no:
.X ±0.30	X' ±5°	Dr. Eddy	Size A4
.XX ±0.20	X' ±2°	Date. 2007.09.12	Dwg no:
.XXX ±0.10	XX' ±1°	Scale 1:1	Sheet 1/1
Projection			