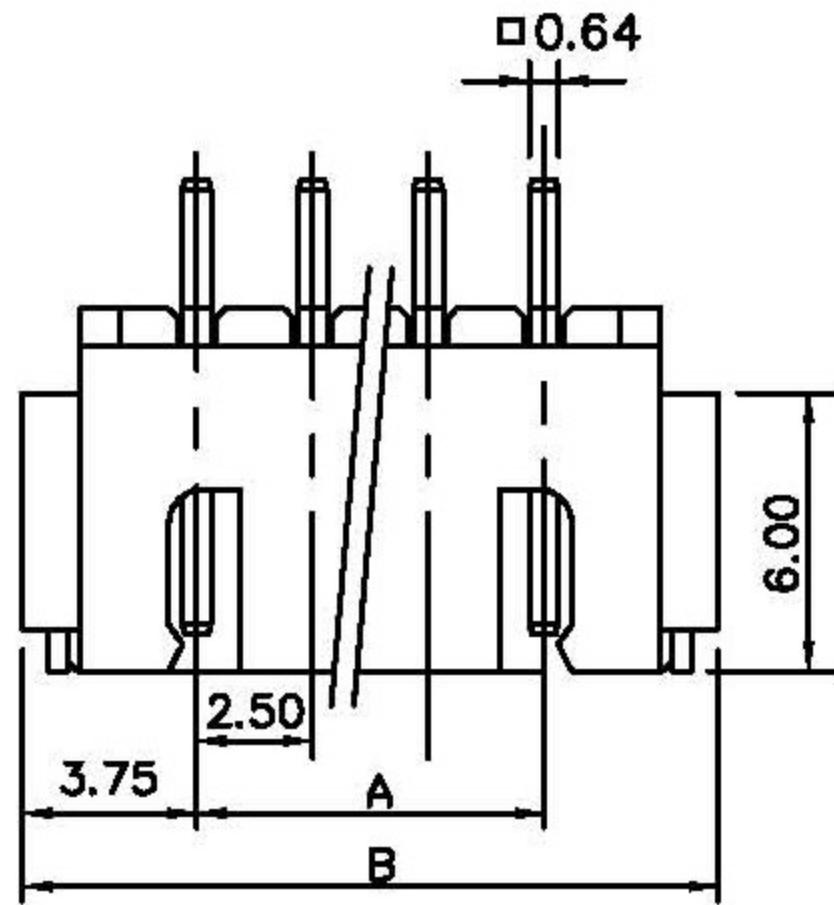
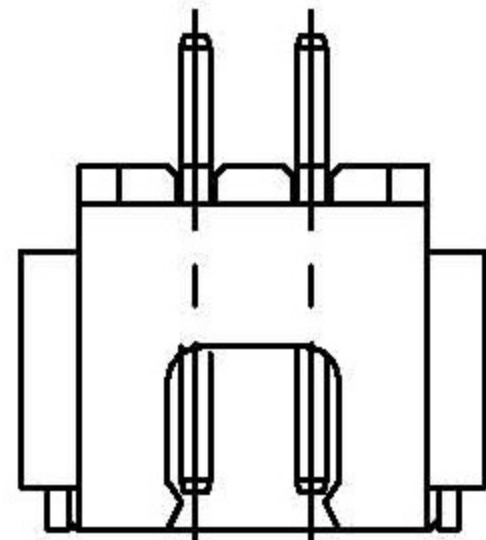
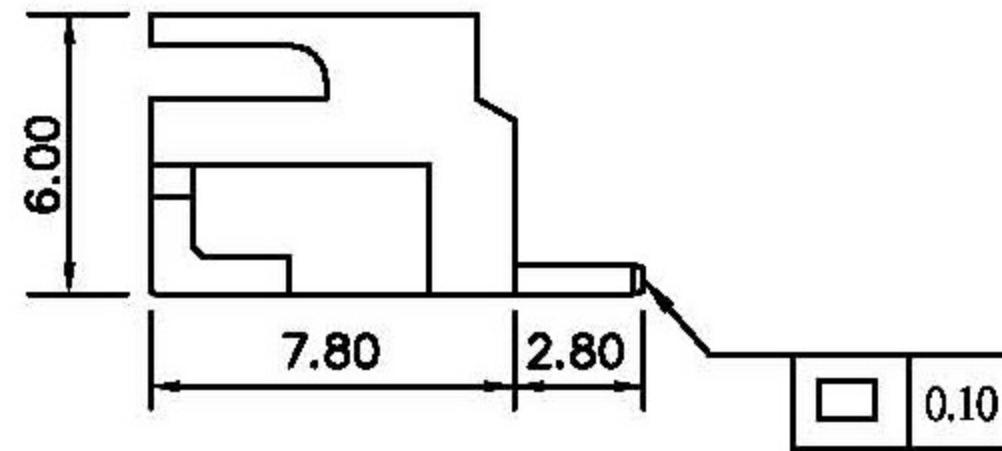
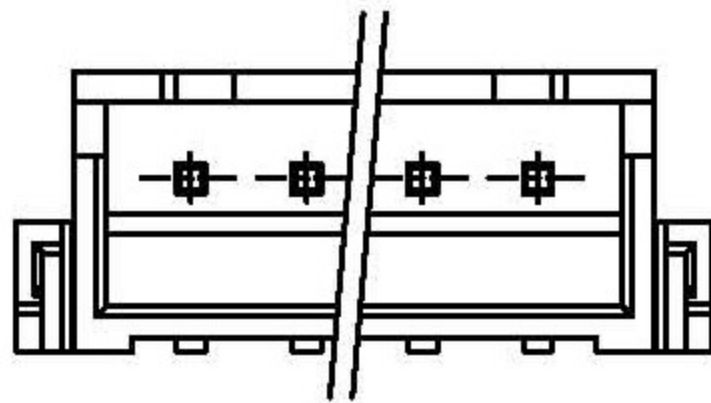
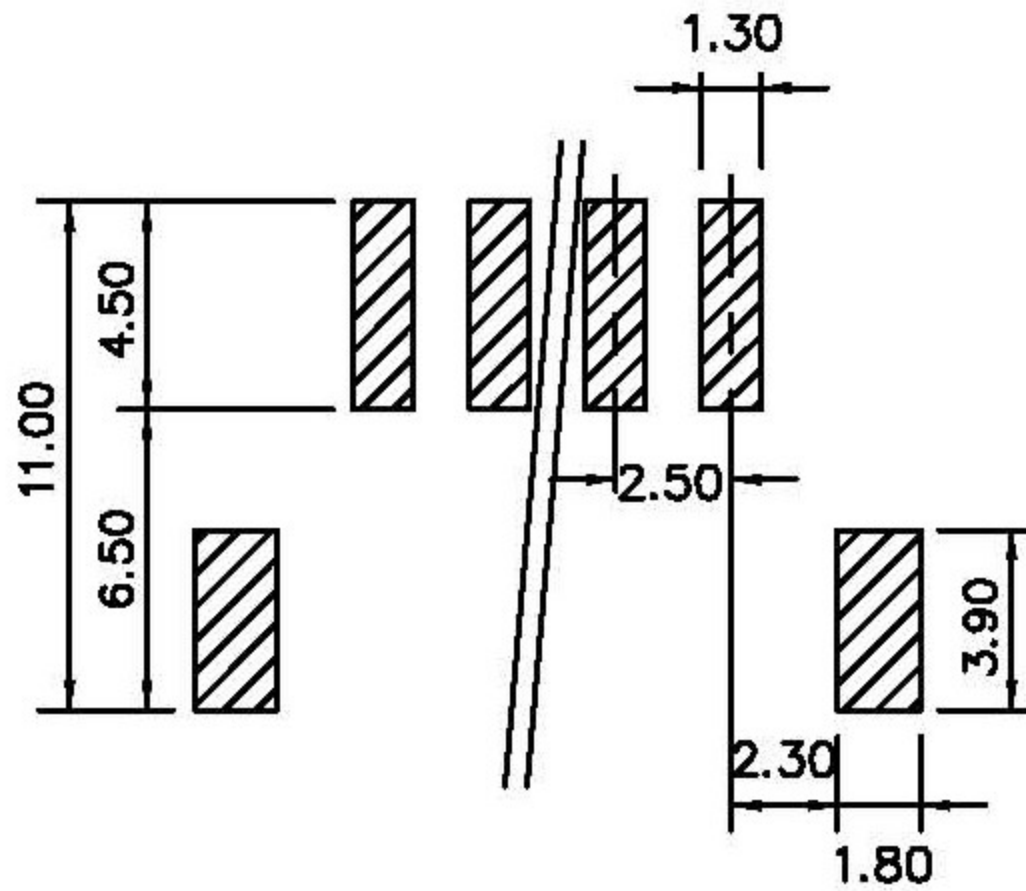


RoHS



3P-16P



2P

Specifications

Current Rating: 3A AC, DC  
 Voltage Rating: 250V AC Maximum  
 Operating Temp: -25°C ~ +85°C  
 Contact Resistance: 10mΩ Max  
 Insulation Resistance: 1000MΩ Min  
 Withstanding Voltage: 1000V AC/minute  
 Pin: Brass/Gold Flash  
 Wafer: Nylon 6T, UL94V-0  
 Solder Tab: Brass/Gold Plated

Poles	Dimension mm		Part No.	Note.
	A	B		
2	2.5	10.0	2501I-02-RG-S	
3	5.0	12.5	2501I-03-RG-S	
4	7.5	15.0	2501I-04-RG-S	
5	10.0	17.5	2501I-05-RG-S	
6	12.5	20.0	2501I-06-RG-S	
7	15.0	22.5	2501I-07-RG-S	
8	17.5	25.0	2501I-08-RG-S	
9	20.0	27.5	2501I-09-RG-S	
10	22.5	30.0	2501I-10-RG-S	
11	25.0	32.5	2501I-11-RG-S	
12	27.5	35.0	2501I-12-RG-S	
13	30.0	37.5	2501I-13-RG-S	
14	32.5	40.0	2501I-14-RG-S	
15	35.0	42.5	2501I-15-RG-S	
16	37.5	45.0	2501I-16-RG-S	

立原科技有限公司  
 Easy Show Technology Corp.

Title: wafer Pitch 2.5mm  
 90度, SMD Type

Tolerances		App.	Dabbie	Units	Part no:
Linear	Angles	Chk.	Kitty	<input checked="" type="checkbox"/> mm <input type="checkbox"/> inch	
.X ±0.30	X' ±5°	Dr.	Eddy	Size	Dwg no:
.XX ±0.20	X' ±2°	Date.	2007.09.12	A4	
.XXX ±0.10	.XX' ±1°			Scale	Sheet
Projection				1:1	1/1