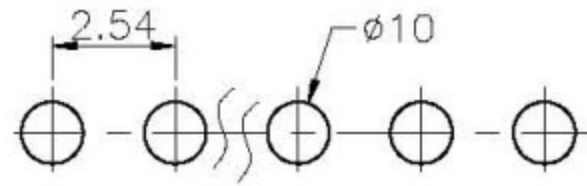
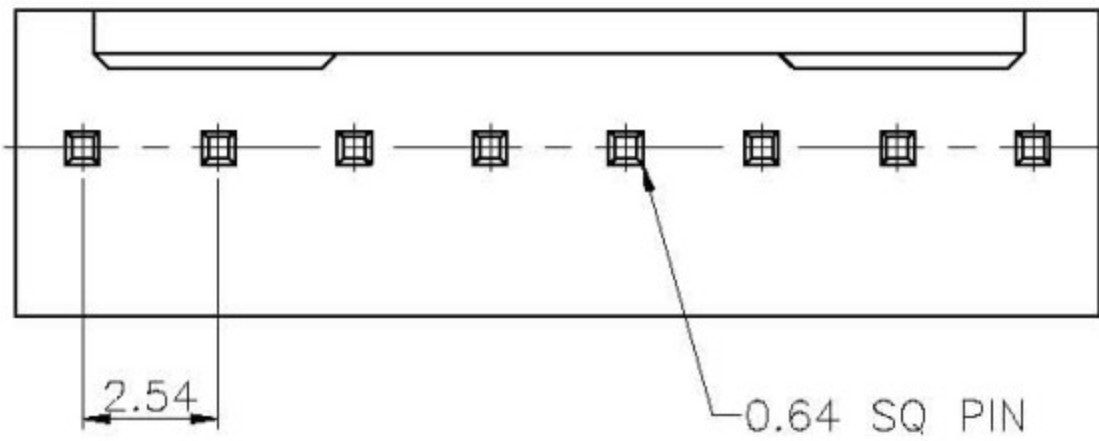
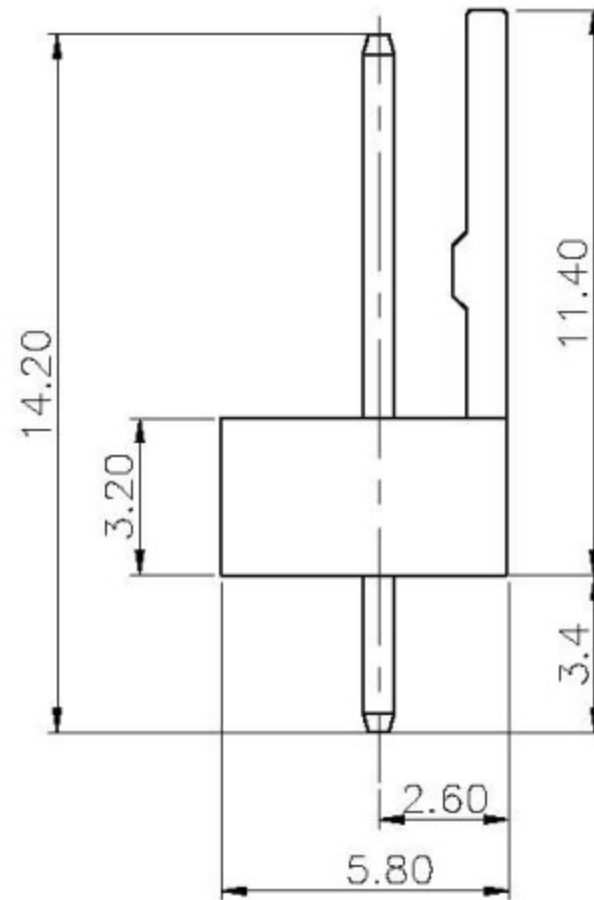
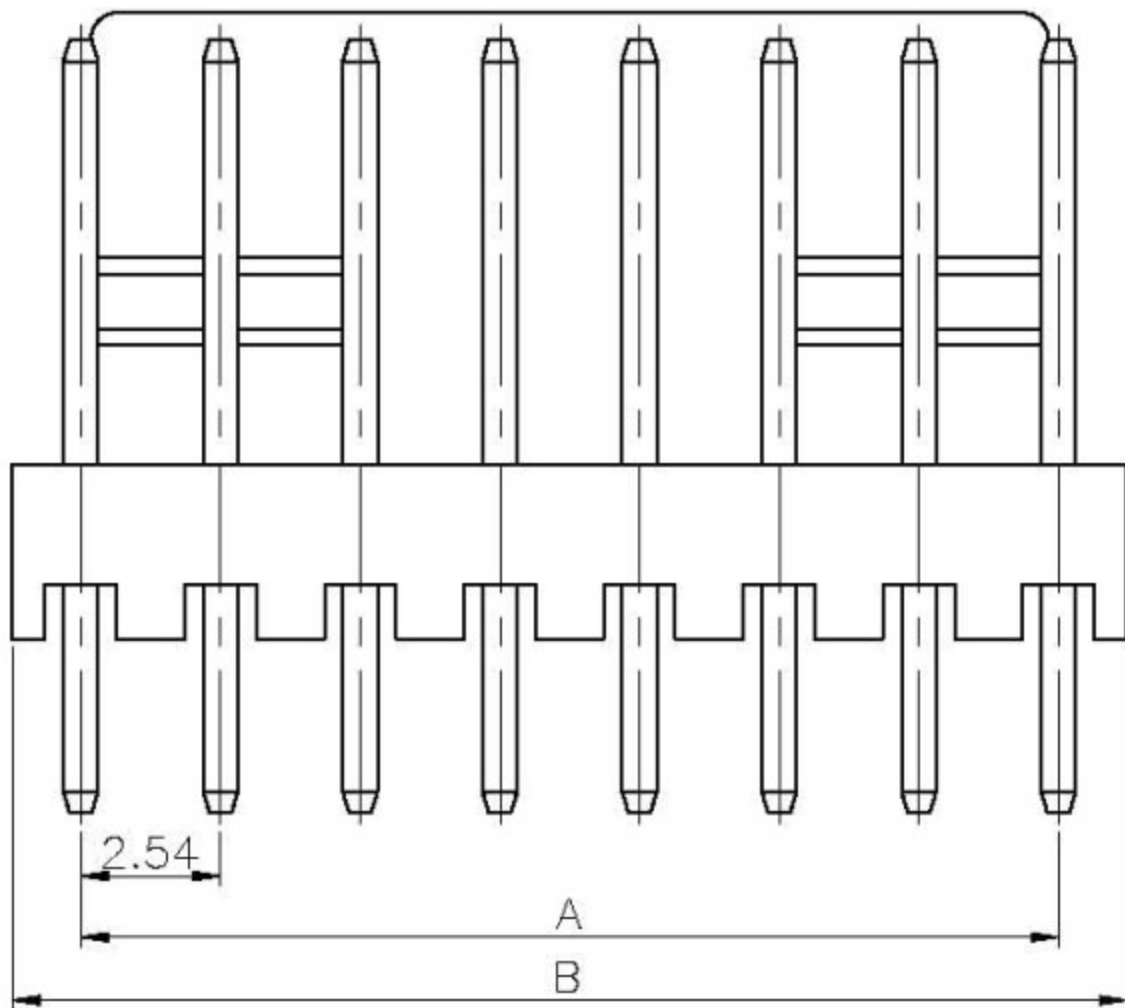


RoHS



P.C.B. LAYOUT



MATERIAL:

INSULATOR : NYLON 66, UL 94V-2

CONTACT : COPPER ALLOY

CONTACT FINISH : GOLD OR TIN OVER NICKEL PLATED

SPECIFICATION:

CURRENT RATING : 2A

DIELECTRIC WITHSTANDING VOLTAGE : 1000V AC PER MINUTE

INSULATION RESISTANCE : 1000MΩ MIN.

CONTACT RESISTANCE : 20mΩ MAX.

OPERATING TEMPERATURE : -25°C ~ +85°C.

POSITION	A	B	POSITION	A	B
2	2.54	5.12	12	27.94	30.68
3	5.08	7.66	13	30.48	33.10
4	7.62	10.20	14	33.02	35.80
5	10.16	12.74	15	35.56	38.34
6	12.70	15.30	16	38.10	40.94
7	15.24	17.94	17	40.64	43.30
8	17.78	20.48	18	43.18	45.90
9	20.32	23.02	19	45.72	48.56
10	22.86	25.58	20	48.26	50.80
11	25.40	28.12			

立原科技有限公司
Easy Show Technology Corp.

Title: wafer Pitch 2.54mm
180度, DIP Type

Tolerances		App.	Dabbie	Units	Part no:
Linear	Angles	Chk.	Kitty	<input checked="" type="checkbox"/> mm <input type="checkbox"/> inch	
.X ±0.30	X' ±5°	Dr.	Eddy	Size A4	Dwg no:
.XX ±0.20	X' ±2°	Date.	2007.09.12	Scale 1:1	Sheet 1/1
.XXX ±0.10	.XX' ±1°				