

RoHS

MATERIAL:

INSULATOR : NYLON 66, UL94V-2

CONTACT : COPPER ALLOY

CONTACT FINISH : GOLD OR TIN OVER NICKEL PLATED

SPECIFICATION:

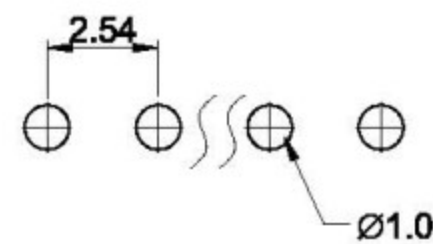
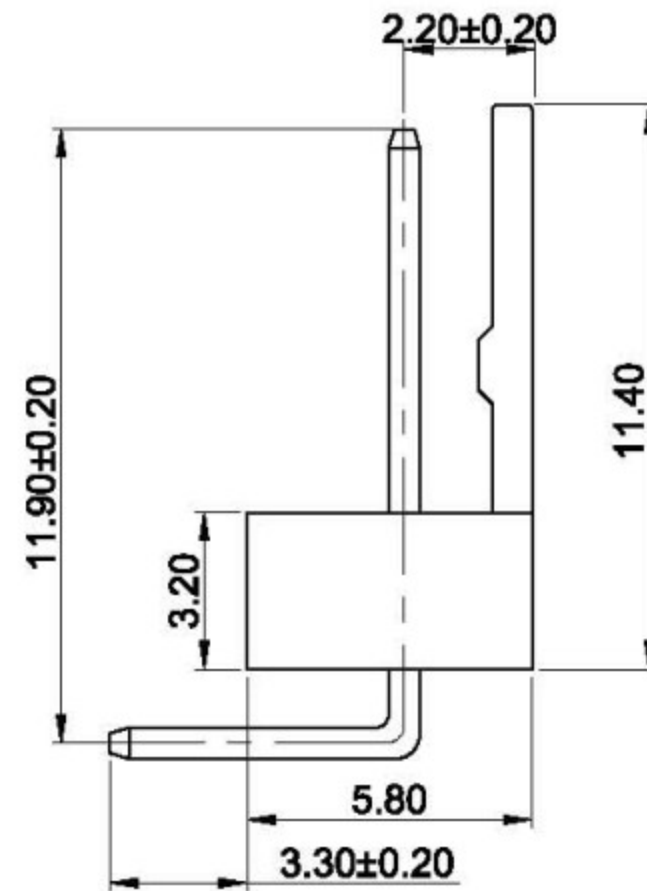
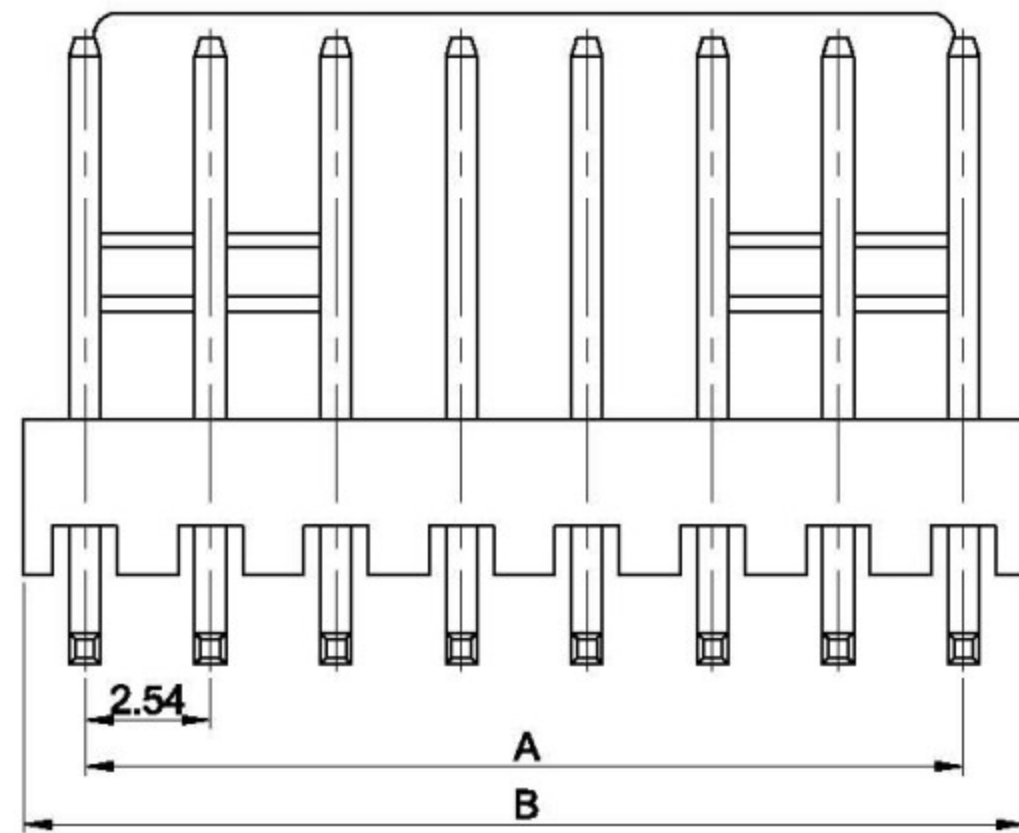
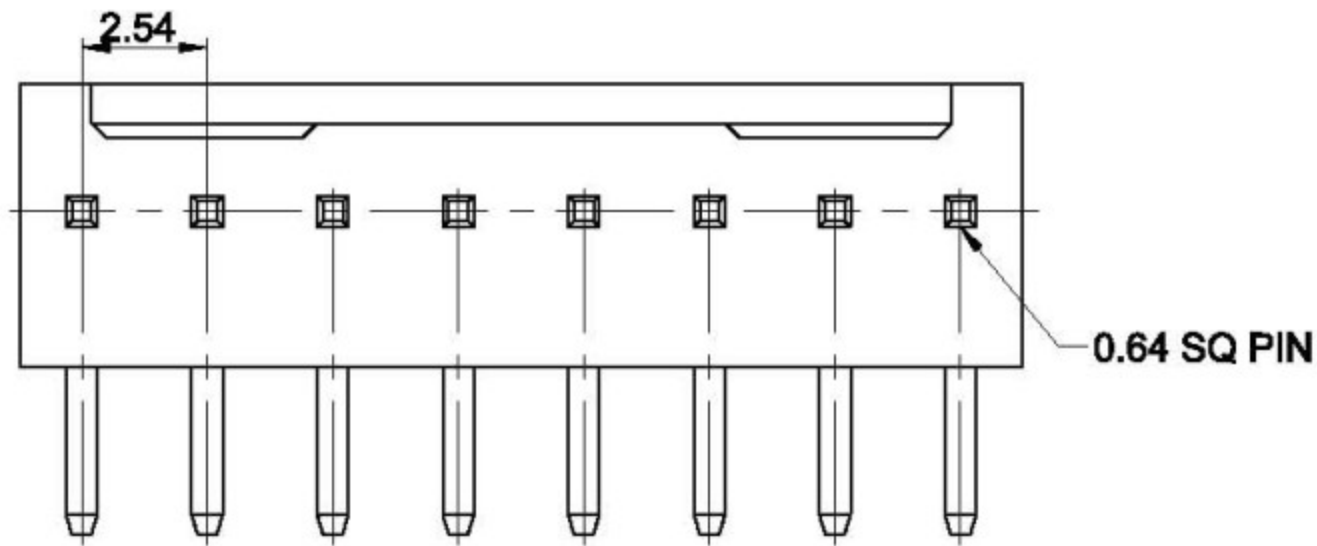
CURRENT RATING : 2A

DIELECTRIC WITHSTANDING VOLTAGE : 1000V AC PER MINUTE

INSULATION RESISTANCE : 1000MΩ MIN.

CONTACT RESISTANCE : 20m MAX.

OPERATING TEMPERATURE : -25°C ~ +85°C.



P.C.B. LAYOUT

POSITION	A	B
2	2.54	5.12
3	5.08	7.66
4	7.62	10.20
5	10.16	12.74
6	12.70	15.30
7	15.24	17.94
8	17.78	20.48
9	20.32	23.02
10	22.86	25.58
11	25.40	28.12

POSITION	A	B
12	27.94	30.68
13	30.48	33.10
14	33.02	35.80
15	35.56	38.34
16	38.10	40.94
17	40.64	43.30
18	43.18	45.90
20	48.26	50.80

立原科技有限公司
Easy Show Technology Corp.

Title:
wafer Pitch 2.54mm 180度 DIP Type

Tolerances	
Linear	Angles
.X ±0.30	X' ±5°
.XX ±0.20	X' ±2°
.XXX ±0.10	.XX' ±1°
Projection	

App.	Dabbie
Chk.	Kitty
Dr.	Eddy
Date.	2007.09.12

Units	Part no:
<input checked="" type="checkbox"/> mm	
Size	Dwg no:
A4	
Scale	Sheet
1:1	1/1