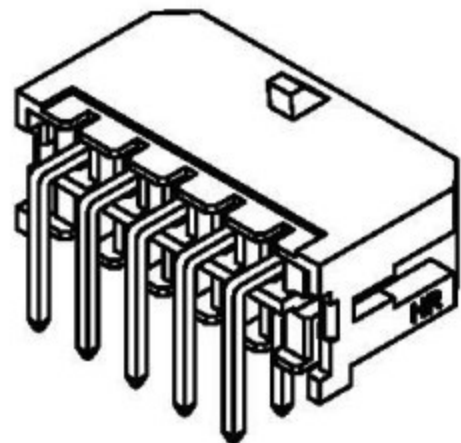


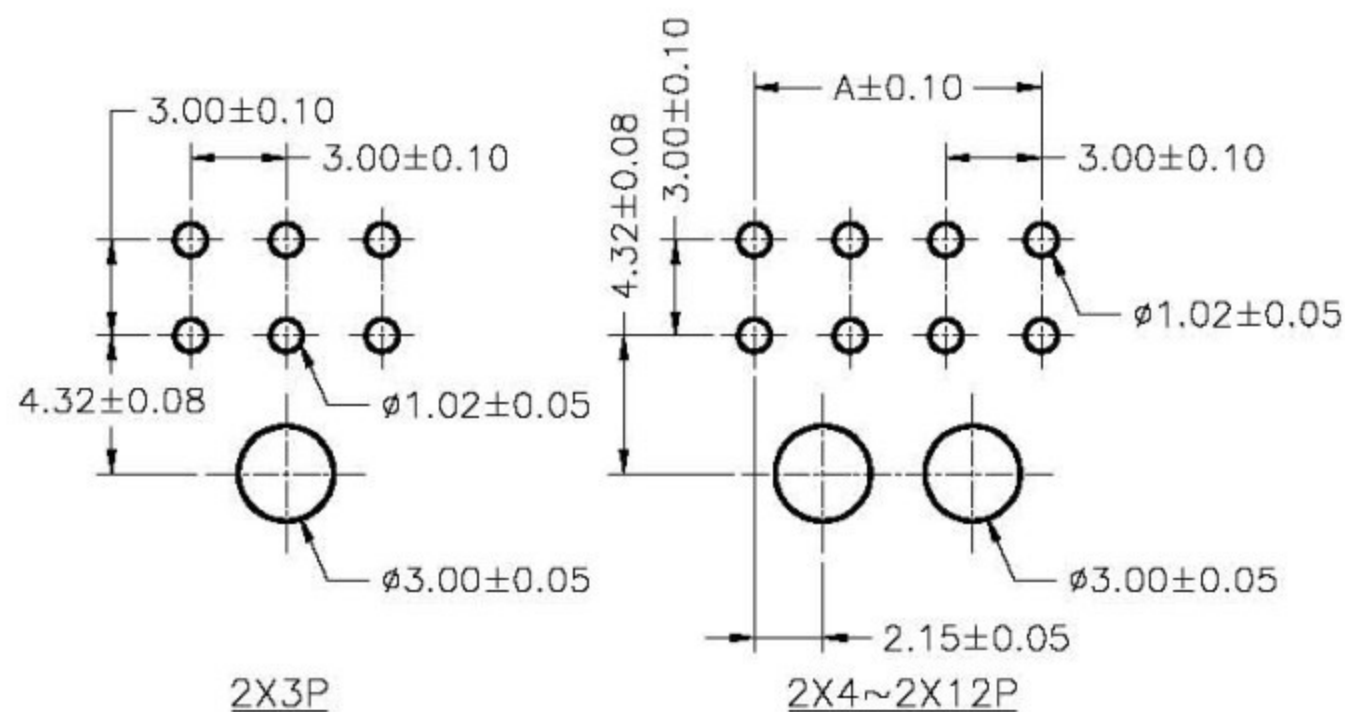
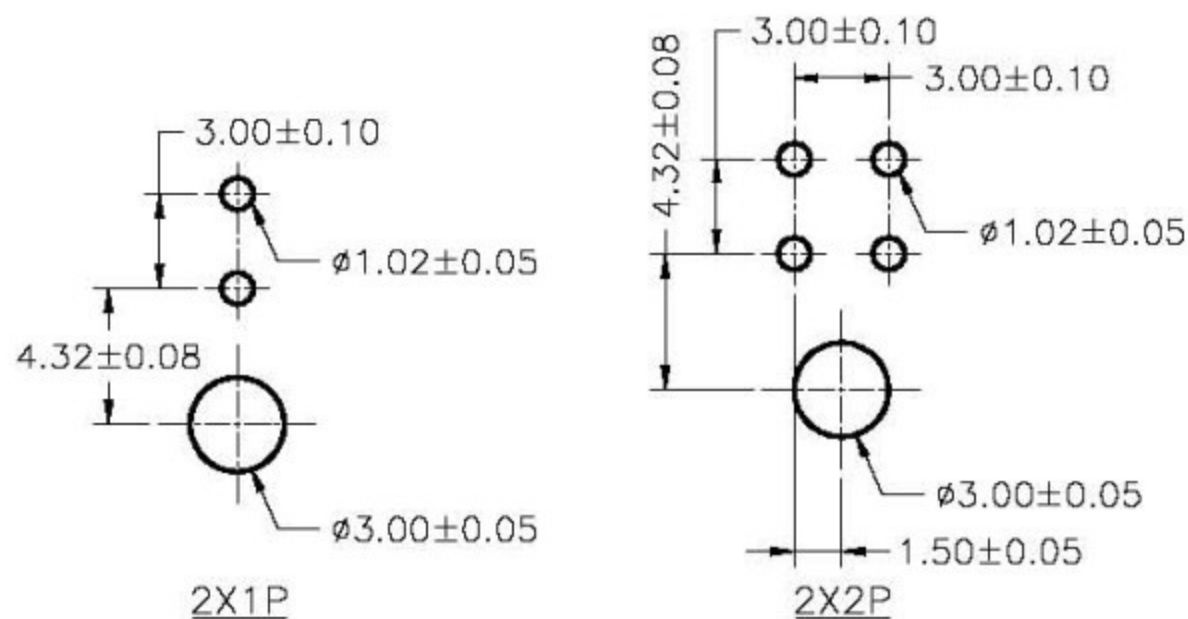
RoHS



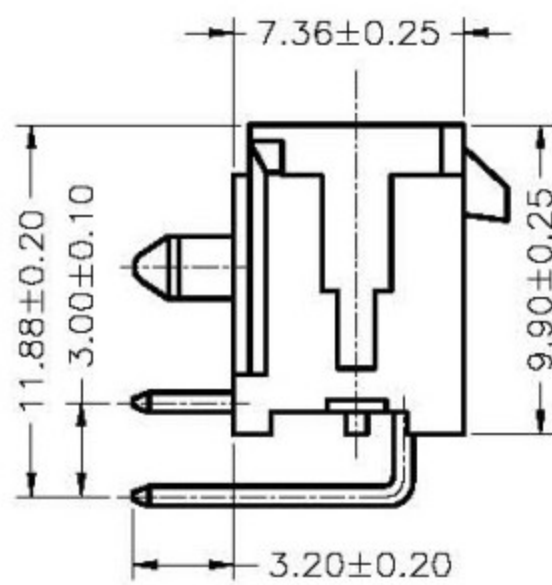
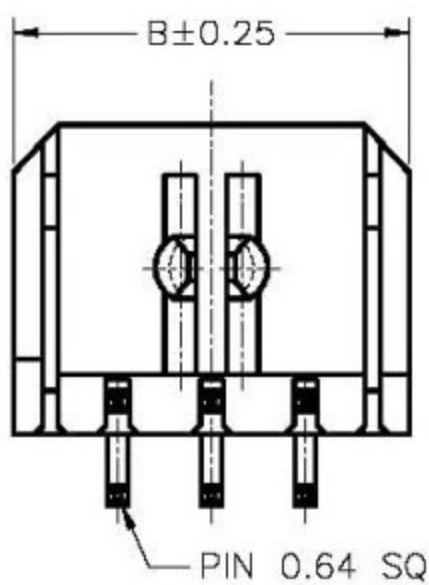
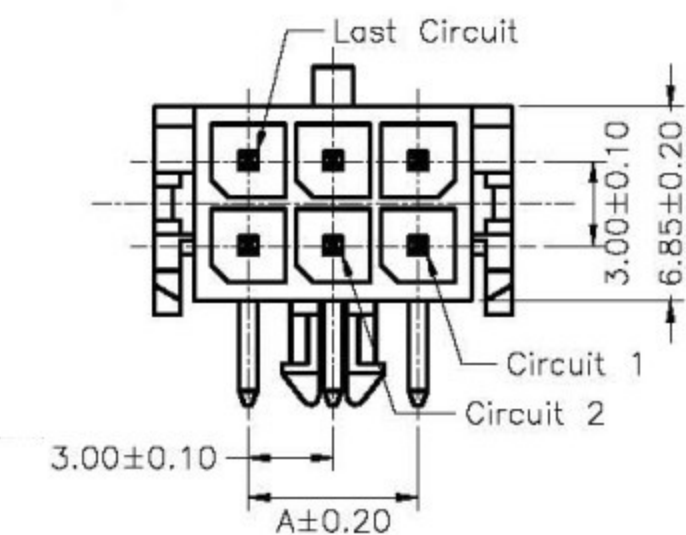
SPECIFICATIONS
 Current Rating: 5A AC,DC
 Voltage Rating: 250V AC,DC
 Temperature Range: -25°C ~ +85°C
 Contact Resistance: 10mΩ Max
 Insulation Resistance: 1000MΩ Min
 Withstanding Voltage: 1500V AC/minute
 Pin Material: Brass/Tin-plated
 Material: PBT30%GF,UL94V-0
 Color: Natural(Black)

Dimensions

POSITION	Dimensions	
	A	B
2X1P	---	6.65
2X2P	3.00	9.65
2X3P	6.00	12.65
2X4P	9.00	15.65
2X5P	12.00	18.65
2X6P	15.00	21.65
2X7P	18.00	24.65
2X8P	21.00	27.65
2X9P	24.00	30.65
2X10P	27.00	33.65
2X11P	30.00	36.65
2X12P	33.00	39.65



P.C.B. LAYOUT



立原科技有限公司 Easy Show Technology Corp.		Title: wafer Pitch 3.0mm, 90度 Micro-Fit	
Tolerances		App. Dabbie	Units <input checked="" type="checkbox"/> mm <input type="checkbox"/> inch
Linear	Angles	Chk. Kitty	Part no:
.X ±0.30	X' ±5°	Dr. Eddy	Dwg no:
.XX ±0.20	X' ±2°	Date. 2007.09.12	Scale 1:1
.XXX ±0.10	.XX' ±1°		Sheet 1/1
Projection			